

This installation guide is valid for the following models:

- Florenzo – FLZ

FLZ



FLZ...A / FLZ...B



PRIOR TO INSTALLATION



- Read all instructions to prevent injury, electric shock or damage due to fire or mechanical hazards
- See product label for supply specifications
- Suitable for recessed or suspension mounting



Inspect the luminaire and associated parts for any signs of defect, in particular fasteners, cables and the diffuser or glass lens

DO NOT INSTALL THE LUMINAIRE IF IT APPEARS IN ANY WAY FAULTY

Consult with the supplier / sales office for details regarding replacement



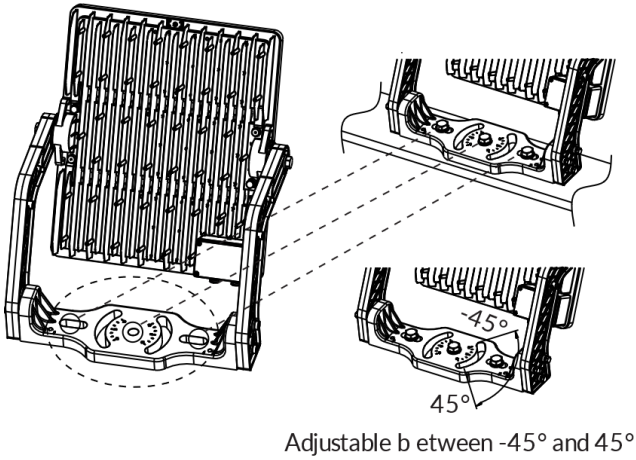
CAUTION



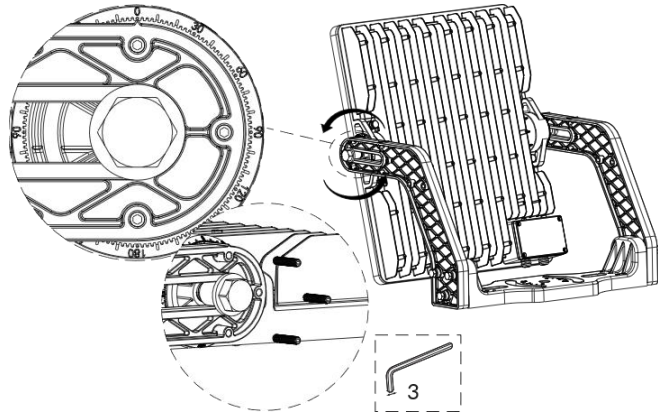
- Before commencing installation, turn off and isolate the electrical supply.
- Electronic control equipment must not be subjected to high voltages. **DO NOT MEGGER** between Live and Neutral.
- All cable / conduit terminations must be installed in accordance with the designated IP rating of this product.
- Suitable installation fastening methods should be employed to ensure the mounting points are not damaged when subjected to vibration and / or movement.
- This luminaire must be installed by qualified electrician in accordance with local rules and codes.
- This luminaire cannot be disassembled by non-professional persons.
- Prior to installation, products are to be stored in cool dry conditions.
- The light source contained in this luminaire is non-user replaceable and shall only be replaced by the manufacturer or his service agent or a similar qualified person.
- If the external flexible cable or cord of this luminaire is damaged, it shall be exclusively replaced by the manufacturer or his service agent or a similar qualified person in order to avoid a hazard.

LUMINAIRE INSTALLATION

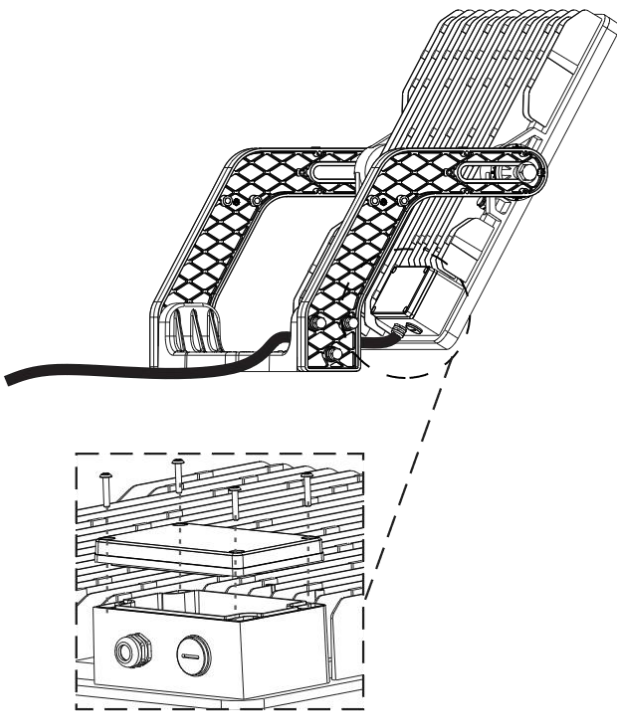
1. Install the trunnion arm with bolts.



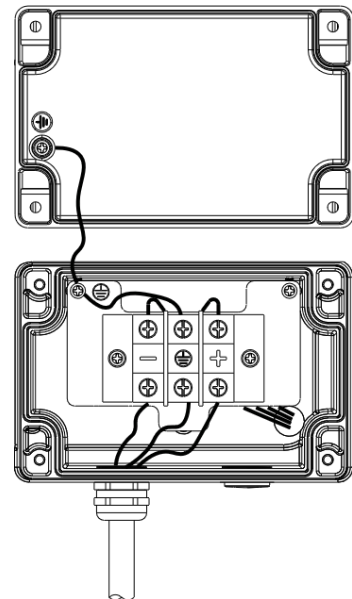
2. If needed, adjust desired angle by loosening the screws on both sides of trunnion arm.



3. Loosen the terminal compartment of the luminaire.



4. Connect the output cables to terminals accordingly.



 L = Live/Active (BROWN)

  = Earth (YELLOW-GREEN)

 N = Neutral (BLUE)

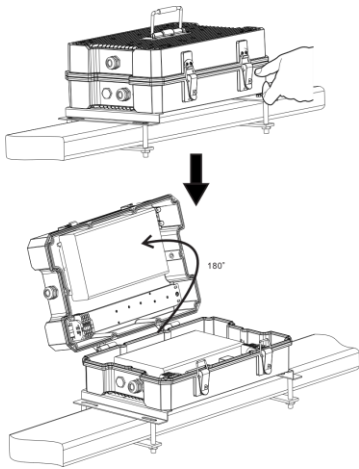


Unauthorized modification & improper installation void product warranty.

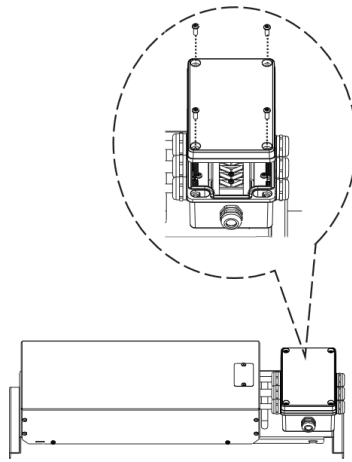
DRIVER INSTALLATION

1. Open the compartment to access the terminals.

Integrated Driver (FLZ)

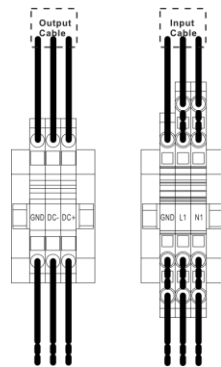
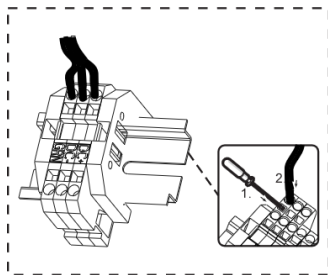


Remote Driver with Gear Box (FLZ...B)



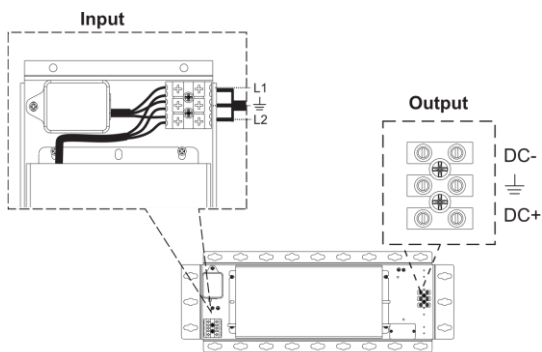
2. Connect the cables to terminals accordingly.

Integrated Driver (FLZ)

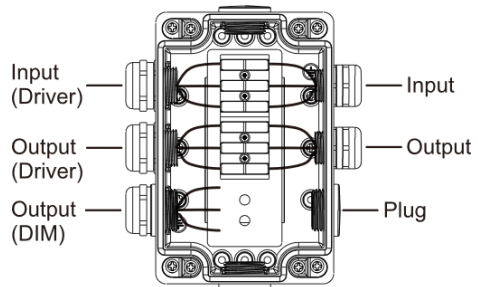


-  L Live/Active (BROWN)
-  Earth (YELLOW-GREEN)
-  N Neutral (BLUE)
-  DIM + (PURPLE)
-  DIM - (PINK / GREY)
-  Vaux (BLACK / WHITE)

Bare Remote Driver with Gear Tray (FLZ...A)



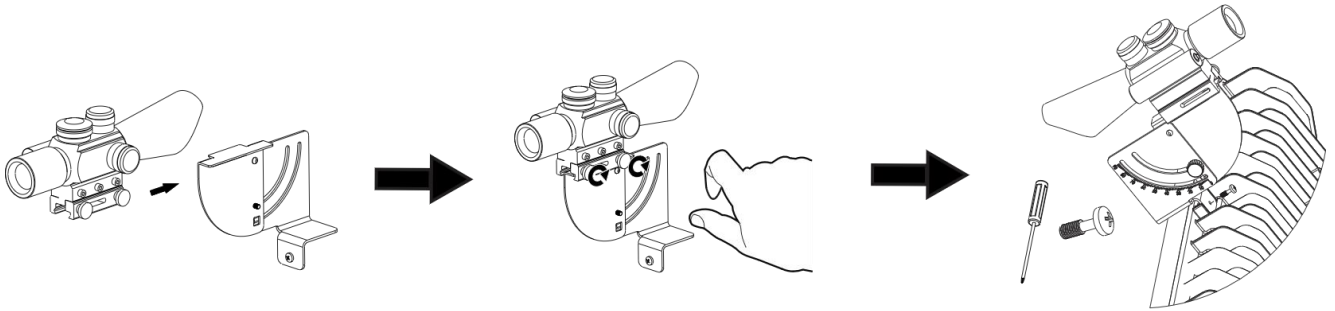
Remote Driver with Gear Box (FLZ...B)



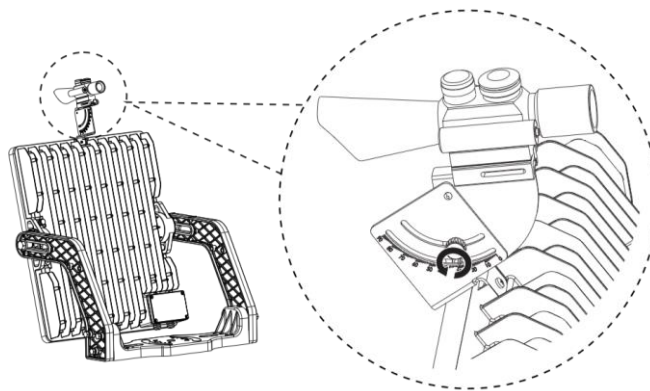
OPTIONAL ITEMS INSTALLATION (TO BE PURCHASE SEPARATELY)

AIMING DEVICE AND BRACKET

2. Attach aiming device to bracket and tighten them on the luminaire.



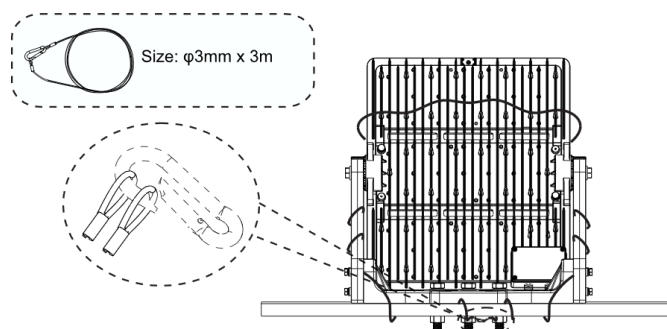
1. Adjust position of the aiming device by turning the knob and tuning the angle accordingly. Table below may be referred as a starting guide for different type of lens.



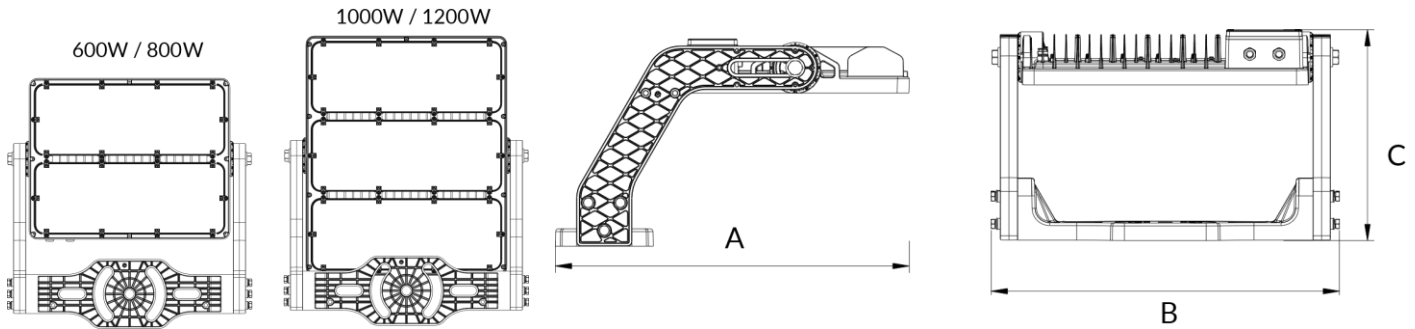
Lens Type	F19801	F19802	F19803	F19804 / F19805 / F19806	F19808
Angle	5.5°	35.5°	54°	0°	30°
Luminaire Position					

SAFETY CABLE INSTALLATION

1. Wrap the safety cable around the luminaire and structure. Then, latch the safety chain with hook.



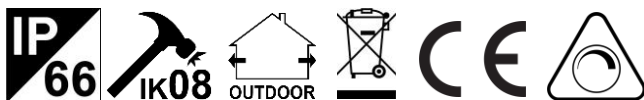
DIMENSIONS



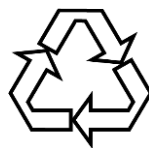
Model	Dimension (mm)		
	A	B	C
600W / 800W	607	597	356
1000W / 1200W	701	597	356

MAINTENANCE

The supply must be isolated before opening or accessing the luminaire. Product maintenance is critical to the products designed performance. Davis Lighting is not responsible for any product not maintained in accordance with the recommended procedure or intervals. It is recommended that a bi-annual cleaning cycle is implemented. Inspect optical surfaces for damage or crack. Products supplied with visors or covers must not be operated with a damaged visor or cover; it is recommended damaged visors or covers to be replaced by a competent person immediately. Seals and electrical components such as wirings to be checked for deterioration.



All photometric and electrical data published are of $\pm 10\%$ tolerance. Characteristics and specifications may change without notice. All electrical installations / connections should be carried out by a suitably qualified person. Application images are indicative only and may not contain actual Davis product. The information contained in this publication is typical and must not be interpreted as a guarantee of individual product performance.



This product may contain substances that can be hazardous to the environment if not disposed of correctly. Electrical and electronic equipment should never be discarded along with general waste but should be separated for correct treatment and recovery. Packaging and waste materials should be recycled wherever possible.

CONTACT

Australia Head Office & Sales
 Davex Australia Pty Ltd
 Head Office: +61 (7) 3712 8988
 Sales Offices: 1300 851 001
 Fax: +61 (7) 3272 8988
 Email: australia@davislighting.com

Malaysia Head Office & Sales
 Davex Malaysia Sdn Bhd (114942-X)
 Phone: +60 (3) 5636 4348
 Fax: +60 (3) 5636 4352
 Email: malaysia@davislighting.com

Singapore Head Office & Sales
 Davex Singapore Pte Ltd
 Phone: +65 6745 2511
 Fax: +65 6745 5828
 Email: singapore@davislighting.com