



### Features

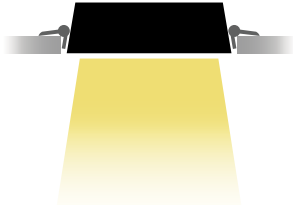
- Enhanced performance
- Aluminium construction
- Long-lasting powder coat finish
- Incredibly low-profile design
- Remote LED dimmable driver
- Switchable CCT : 3000K - 4000K - 5000K
- High-performance 40,000 hr LEDs
- 0.74 m supply flex and 2-pin plug
- IC-4 insulation rating
- IP54 below ceiling, IP20 above
- 3-year warranty



### Applications

- Retail shops
- Bars, restaurants
- Galleries, Display areas
- Bedrooms
- Lounge rooms

### Mounting Methods



Recessed



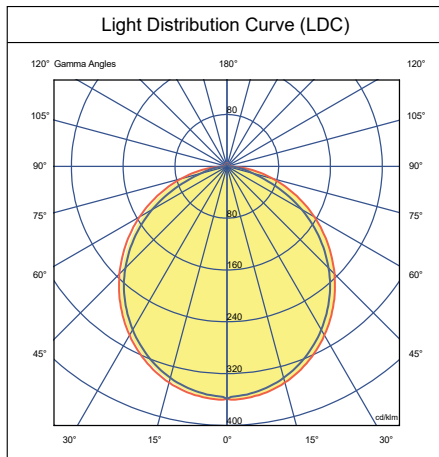


## Specifications

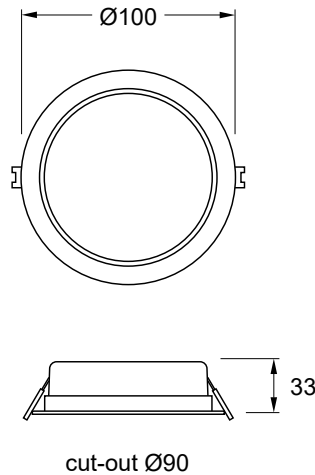
Model	DLX10WCTD01		
Nominal Power (W)	10		
Input Voltage	200 - 240 VAC 50 / 60 Hz		
CCT Switchable (K)	3000	4000	5000
Luminous Flux (lm)	800	960	890
Efficacy (lm/W)	80	96	89
CRI	> 80		
Power Factor	> 0.90		
Beam Angle (°)	90		
LED Life L70B50 (hr)	40,000		
Max Ambient Temp. $t_a$ (°C)	40		

## Lighting Data

DLX10WCTD01 (3000K)



## Dimensions



## CCT Adjustment



Use slide switch to select required CCT

- NW = 4000 K
- CW = 5000 K
- WW = 3000 K

