

BATHURST BUE

Exterior Lighting / Surface Wall Light



DAVISLIGHTING

Features

Rectangular up and down wall light
Modern and minimalist design
Suitable for outdoor applications
IP65 rated
Robust aluminum die-cast body with IK06 impact rating
UV / corrosion-resistant powder-coated finish
Superior uniform illumination designed to enhance urban spaces with beautiful visual appearance
Adjustable upward & downward beam angle from 30° to 120°

Applications

Commercial exteriors
Walkways and entrance areas
Building perimeters
Hotels, motels, apartments

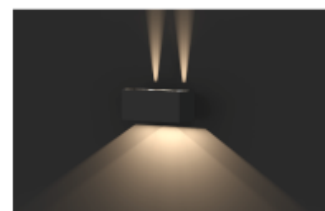
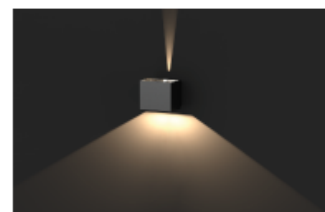
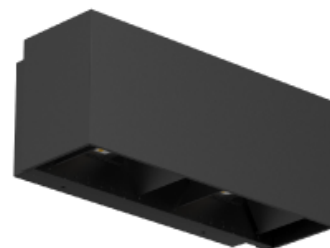
Standards

IEC/AS/NZS 60598.1
IEC 60598-2-1
IEC/AS/NZS CISPR 15

Mounting



Wall Mounted





Specifications

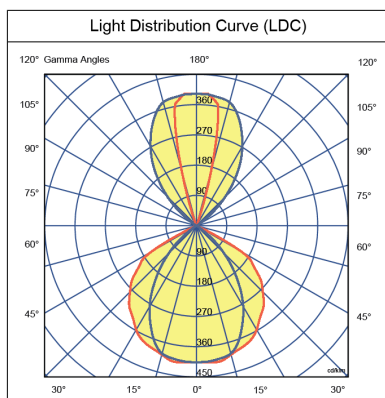
Model	BUED10-x	BUED20-x
Nominal Power (W)	10	20
Input Voltage (V)	220-240	
CRI (Ra)	> 80	
CCT (K)	3000/4000/5000	
Frequency (Hz)	50/60	
Luminaire Flux (lm)	750	1150
Luminaire Efficacy (lm/W)	75	65
Luminaire Rated Life (hr)	> 50,000 @ L70	
Operating Temp. (°C)	-20 to +45	
IP Rating	IP65	
IK Rating	IK06	
Power Factor	> 0.90	
SDCM	< 6	
Beam Angle Upward & Downward (°)	adjustable from 30°-120°	
Body Colour	Black	
Weight (kg)	0.6	1.1

"x" denotes CRI & CCT, R83 = CRI>80, 3000K ; R84 = CRI>80, 4000K ; R85 = CRI>80, 5000K

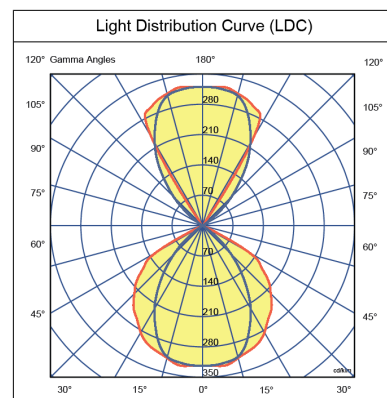
*Specifications shown for 4000K

Lighting Data

BUED10-R84 (30°x120°)

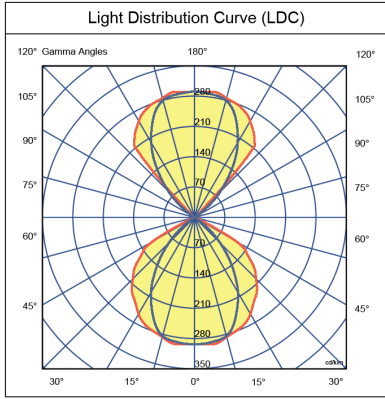


BUED10-R84 (60°x120°)

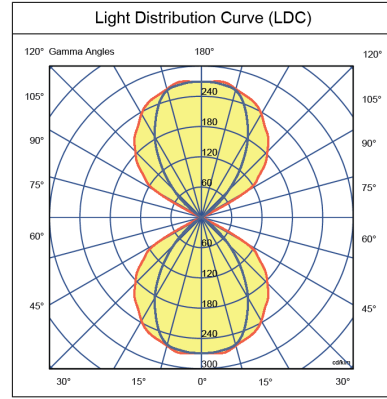




BUED10-R84 (90°x120°)

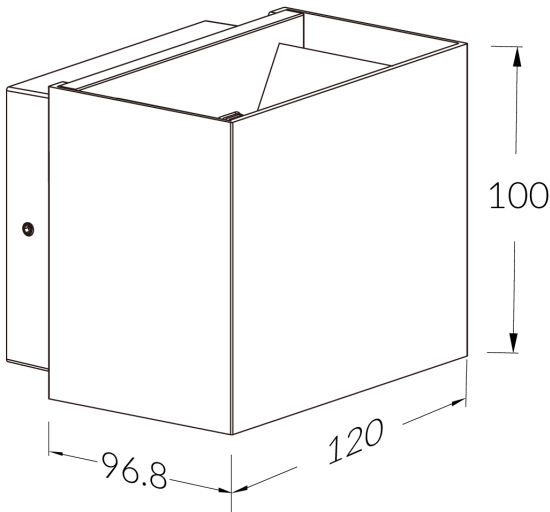


BUED10-R84 (120°x120°)

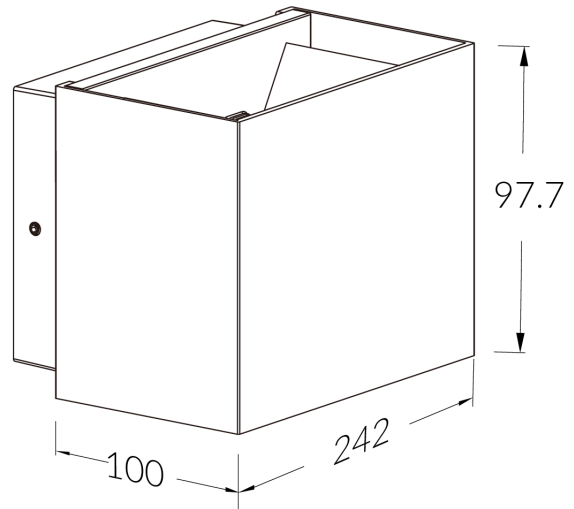


Dimensions (mm)

BUED10



BUED20



All photometric and electrical data published are of $\pm 10\%$ tolerance. Characteristics and specifications may change without notice. All electrical installations / connections should be carried out by a suitably qualified person. Application images are indicative only and may not contain actual Davis product. The information contained in this publication is typical and must not be interpreted as a guarantee of individual product performance.