

# BATHURST BUC/BUS

Exterior Lighting / Surface Wall Light



## Features

Round and rectangle design  
Suitable for modern or minimalist design  
Suitable for outdoor applications  
Robust aluminium die-cast body with IK08 impact resistance  
UV / corrosion-resistant powder-coated finish  
Superior uniform illumination designed to enhance urban spaces with beautiful visual appearance  
IP65 rated dust and water ingress protection

## Applications

Commercial exteriors  
Walkways, corridors and entrance areas  
Building perimeters  
Hotels, motels, apartments

## Options

Available in single-sided / double-sided beam  
Available in various beam angle  
DALI dimming

## Standards

IEC/AS/NZS 60598.1  
IEC 60598-2-1  
IEC/AS/NZS CISPR 15

## Mounting



# BATHURST BUC/BUS

Exterior Lighting / Surface Wall Light



## Specifications

Model	BUCS10-xy	BUCD20-xy	BUSS10-xy	BUSD20-xy
Shape	Round		Square	
Beam	Single	Double	Single	Double
Nominal Power (W)	10	20	10	20
Input Voltage (V)	220-240			
CRI (Ra)	>80			
CCT (K)	3000/4000/5000			
Frequency (Hz)	50/60			
Luminaire Flux (lm)	1000	2000	1000	2000
Luminaire Efficacy (lm/W)	100			
Luminaire Rated Life (hr)	>50,000 @ L70			
Beam Angle (°)	15/24/36			
Operating Temp. (°C)	-20 to +50			
Power Factor	>0.90			
SDCM	3			
IK Rating	IK08			
IP Rating	IP65			
Body Colour	Black			
Weight (kg)	1.7		1.9	

"x" denotes CRI & CCT, R83 = CRI>80, 3000K ; R84 = CRI>80, 4000K ; R85 = CRI>80, 5000K

"y" denotes Beam Angle, B15 = 15° ; B24 = 24° ; B36 = 36°

\*Specifications shown for 4000K

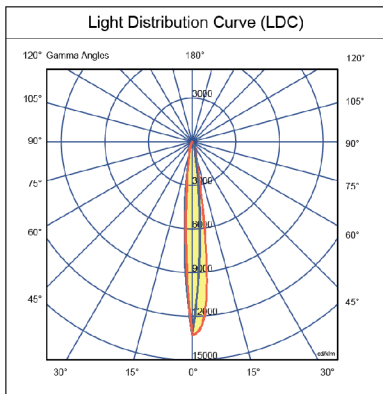
# BATHURST BUC/BUS

Exterior Lighting / Surface Wall Light

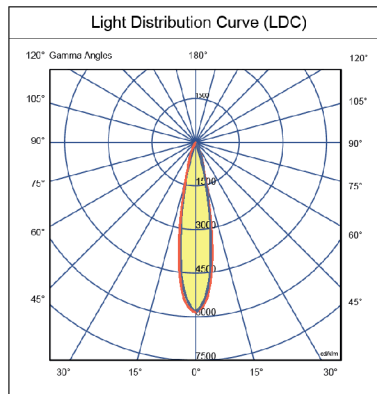


## Lighting Data

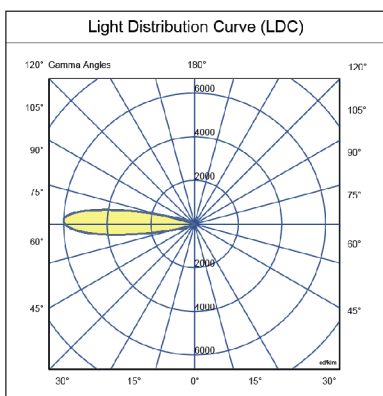
BUCS/BUSS10-R84B15



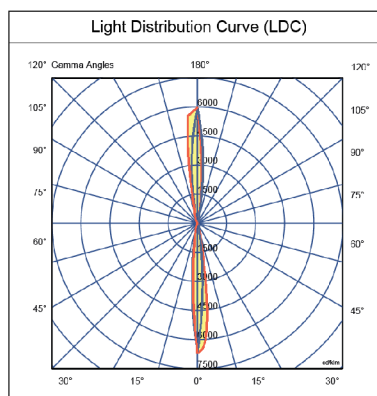
BUCS/BUSS10-R84B24



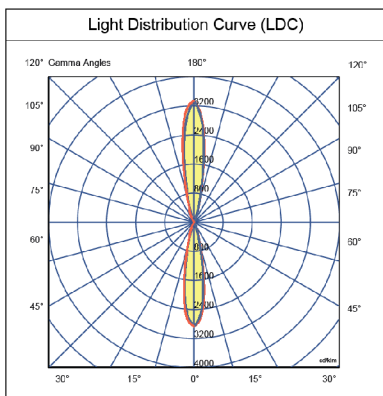
BUCS/BUSS10-R84B36



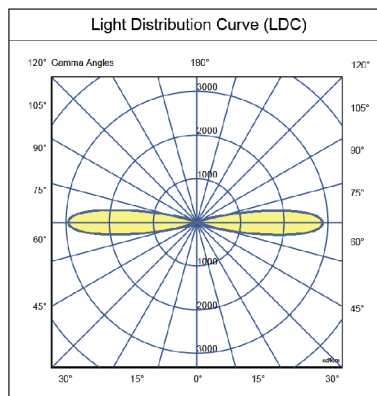
BUCD/BUSS20-R84B15



BUCD/BUSS20-R84B24



BUCD/BUSS20-R84B36



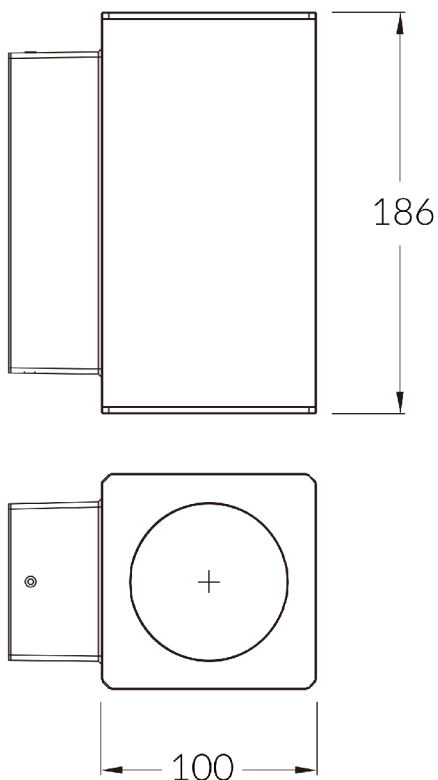
# BATHURST BUC/BUS

Exterior Lighting / Surface Wall Light

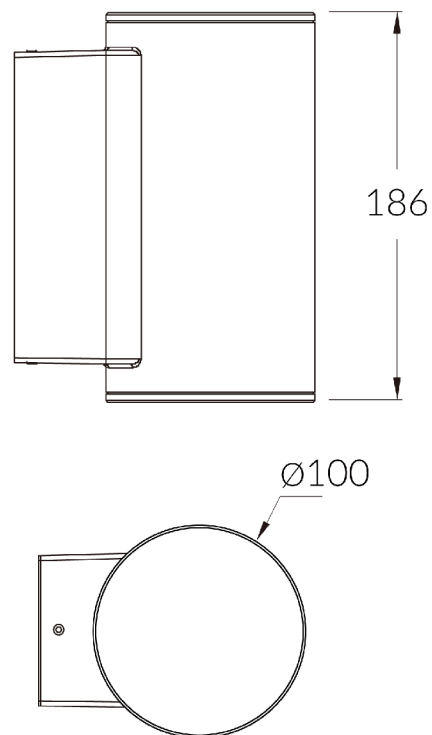


## Dimensions

BUCS10 / BUCD20



BUSS10 / BUSD20



All photometric and electrical data published are of  $\pm 10\%$  tolerance. Characteristics and specifications may change without notice. All electrical installations / connections should be carried out by a suitably qualified person. Application images are indicative only and may not contain actual Davis product. The information contained in this publication is typical and must not be interpreted as a guarantee of individual product performance.