

# WARELL WLR

## Exterior Lighting / Recessed Wall Light



### Features

- Recessed wall light available in round, square and rectangular shape
- Indirect system to deliver low glare lighting
- Range of size and output options
- Aluminum housing provides a great thermal management
- IP65 & IK08 protection for outdoor application
- Loop in and out wire design

### Applications

- Residential complex surrounds
- Commercial exteriors
- Carparks
- Walkways
- Building entrance
- Motels, hotels

### Standards

- Manufactured under ISO 9001:2015 to standards
- IES/AS/NZS 60598.1
- IEC/AS/NZS 60598.2.1
- IEC/AS/NZS CISPR 15

### Mounting



Recessed

WLR..R



WLR..S



WLR..E



WLR10E



# WARELL WLR

Exterior Lighting / Recessed Wall Light



## Specifications

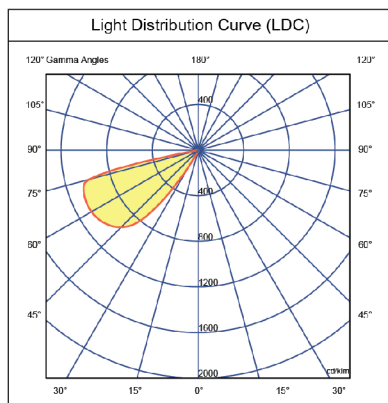
Model	WLR5R-x	WLR8R-x	WLR5S-x	WLR8S-x	WLR5E-x	WLR10E-x
Shape	Round		Square		Rectangle	
Nominal Power (W)	5	8	5	8	5	10
Input Voltage (V)	220-240					
CRI (Ra)	>80					
CCT (K)	3000/4000/5000					
Frequency (Hz)	50/60					
Luminaire Flux (lm)	170	320	170	320	170	450
Luminaire Efficacy (lm/W)	34	40	34	40	34	45
Luminaire Rated Life (hr)	50,000					
Operating Temp. (°C)	-20 to +45					
IP Rating	IP65					
IK Rating	IK08					
Power Factor	>0.90					
SDCM	<6					
Weight (kg)	0.6	0.92	1.18	1.18	2.2	2.8

"X" denotes CRI & CCT, R83 = CRI>80, 3000K ; R84 = CRI>80, 4000K ; R85 = CRI>80, 5000K

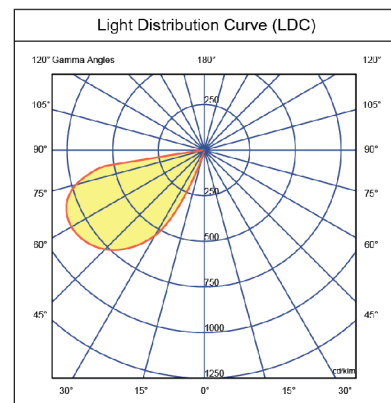
\*Specifications shown for 4000K

## Lighting Data

WLR5R / WLR8R / WLR10E-R84



WLR5S / WLR8S / WLR5E-R84



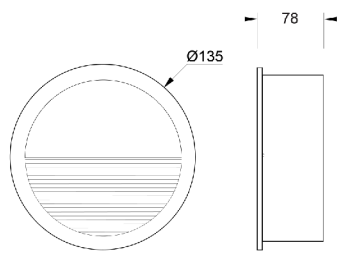
# WARELL WLR

Exterior Lighting / Recessed Wall Light

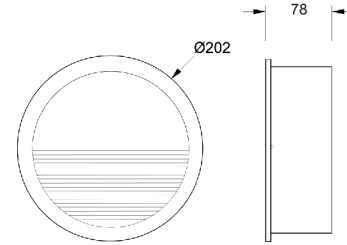


## Dimensions

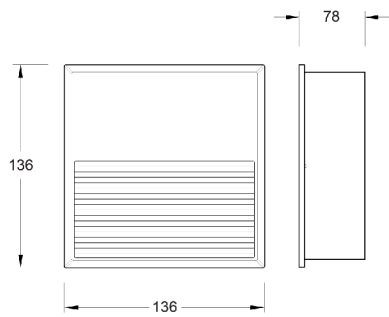
WLR5R



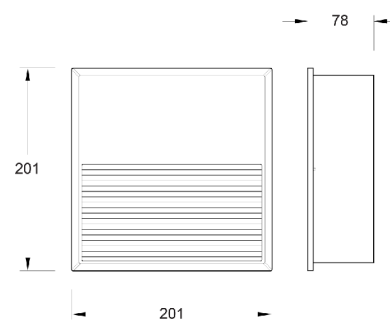
WLR8R



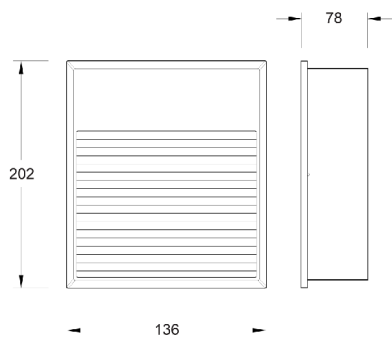
WLR5S



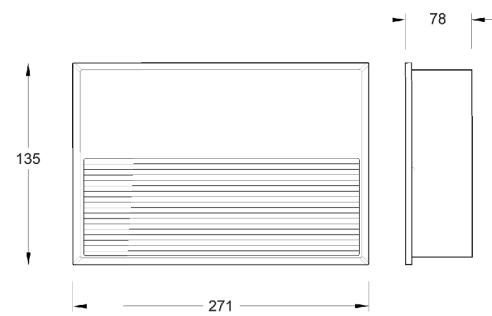
WLR8S



WLR5E



WLR10E



All photometric and electrical data published are of  $\pm 10\%$  tolerance. Characteristics and specifications may change without notice. All electrical installations / connections should be carried out by a suitably qualified person. Application images are indicative only and may not contain actual Davis product. The information contained in this publication is typical and must not be interpreted as a guarantee of individual product performance.