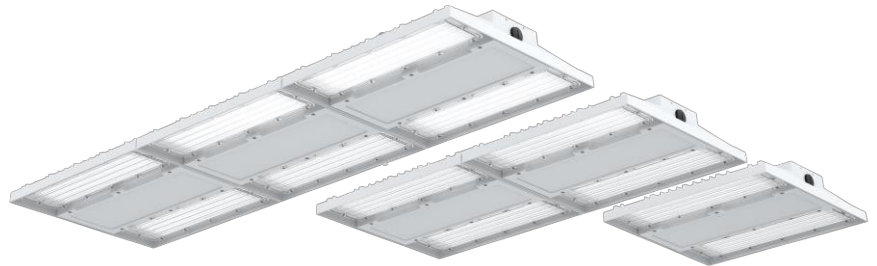


This installation guide is valid for the following models:

- Leo - LHA



PRIOR TO INSTALLATION



- Read all instructions to prevent injury, electric shock or damage due to fire or mechanical hazards
- See product label for supply specifications
- Suitable for recessed or suspension mounting



Inspect the luminaire and associated parts for any signs of defect, in particular fasteners, cables and the diffuser or glass lens

DO NOT INSTALL THE LUMINAIRE IF IT APPEARS IN ANY WAY FAULTY

Consult with the supplier / sales office for details regarding replacement



CAUTION

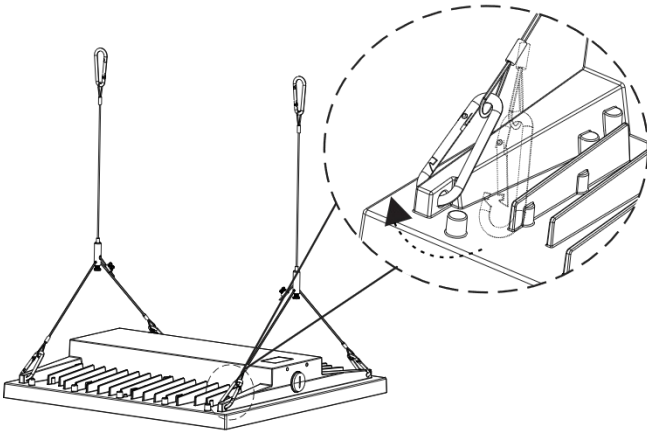


- Before commencing installation, turn off and isolate the electrical supply.
- Electronic control equipment must not be subjected to high voltages. **DO NOT MEGGER** between Live and Neutral.
- All cable / conduit terminations must be installed in accordance with the designated IP rating of this product.
- Suitable installation fastening methods should be employed to ensure the mounting points are not damaged when subjected to vibration and / or movement.
- This luminaire must be installed by qualified electrician in accordance with local rules and codes.
- This luminaire cannot be disassembled by non-professional persons.
- Prior to installation, products are to be stored in cool dry conditions.
- The light source contained in this luminaire is non-user replaceable and shall only be replaced by the manufacturer or his service agent or a similar qualified person.
- If the external flexible cable or cord of this luminaire is damaged, it shall be exclusively replaced by the manufacturer or his service agent or a similar qualified person in order to avoid a hazard.

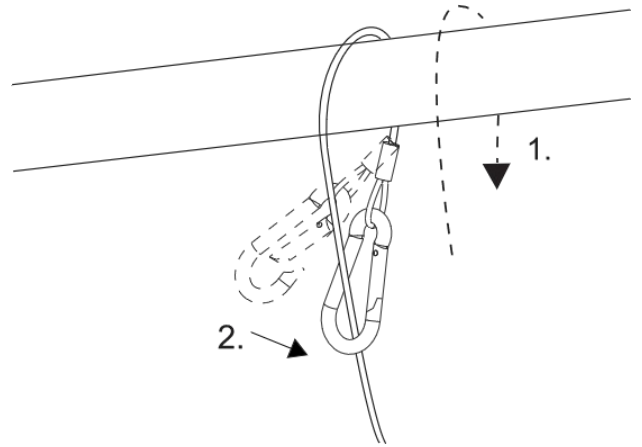
INSTALLATION

Suspension Mount

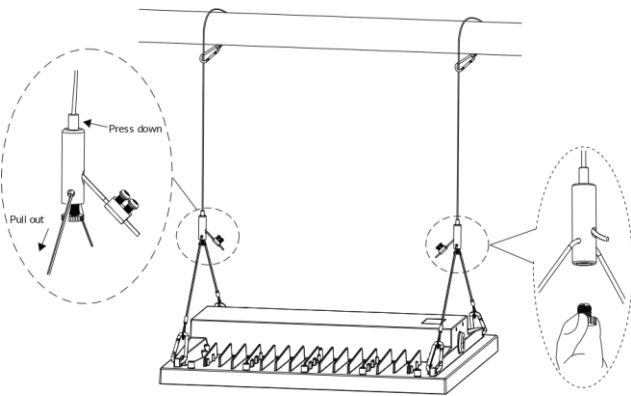
1. Hook the suspension cables onto luminaire.



2. Wrap the suspension cables around the structure.



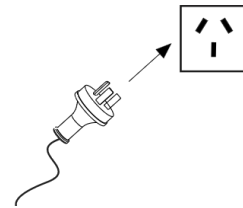
3. Adjust the diagonal length with knurled screw and adjust the vertical height with gripper accordingly.



4. Connect the supply cables accordingly.

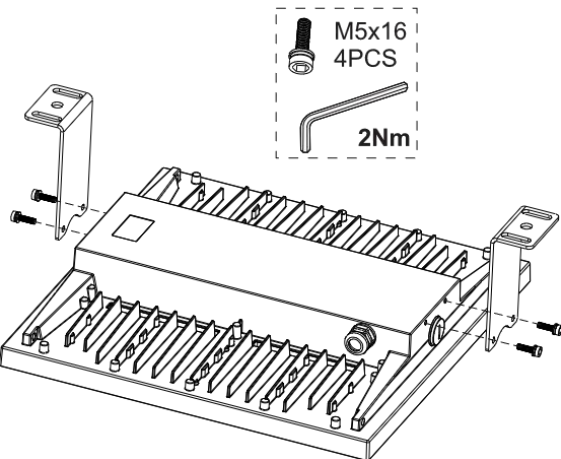
-  L = Live/Active (BROWN)
-  ⊕ = Earth (YELLOW-GREEN)
-  N = Neutral (BLUE)

For luminaire fitted with flex & plug, plug in to the supply socket.

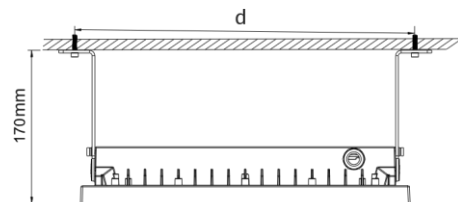


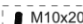

Ceiling Mount with Fixed Brackets

1. Mount the brackets to the luminaire.



2. Prepare mounting holes with a distance according to the table below. Then, mount luminaire to the ceiling with screws.



	Power	d
 M10x20 2PCS  17Nm	100/150W	370mm
	200/240/300W	740mm
	400/480W	1110mm



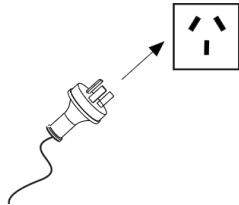
Unauthorized modification & improper installation void product warranty.

INSTALLATION

3. Connect the supply cables accordingly.

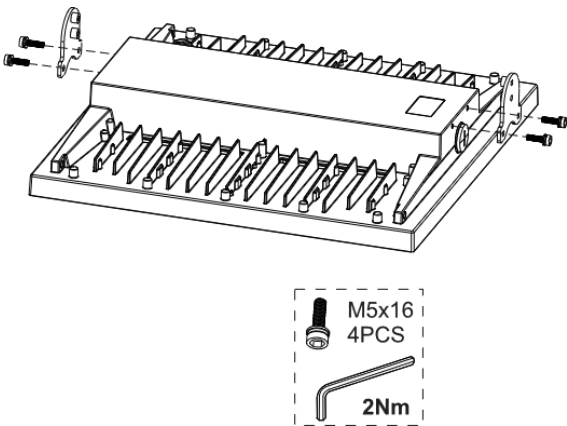
-  L = Live/Active (BROWN)
-  = Earth (YELLOW-GREEN)
-  N = Neutral (BLUE)

For luminaire fitted with flex & plug, plug in to the supply socket.

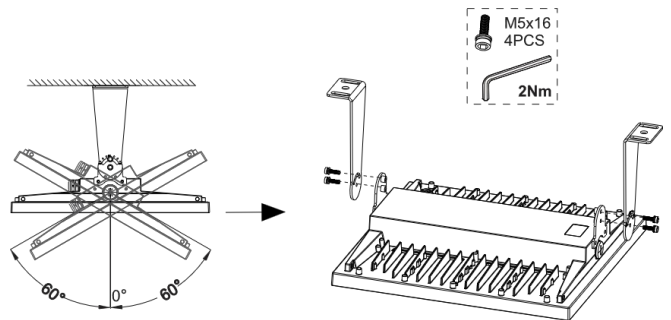


Ceiling Mount with Rotatable Brackets

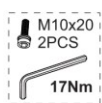
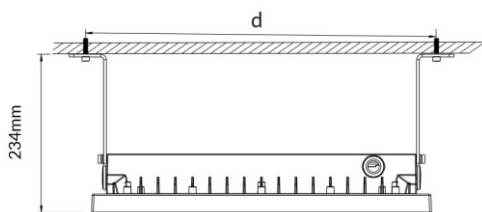
1. Mount the bracket joints to luminaire.



2. Adjust the brackets between -60° and 60° , then mount them to the joints.



3. Prepare mounting holes with a distance according to the table below. Then, mount luminaire to the ceiling with screws.

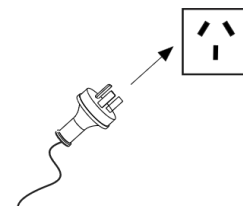


Power	d
100/150W	370mm
200/240/300W	740mm
400/480W	1110mm

4. Connect the supply cables accordingly.

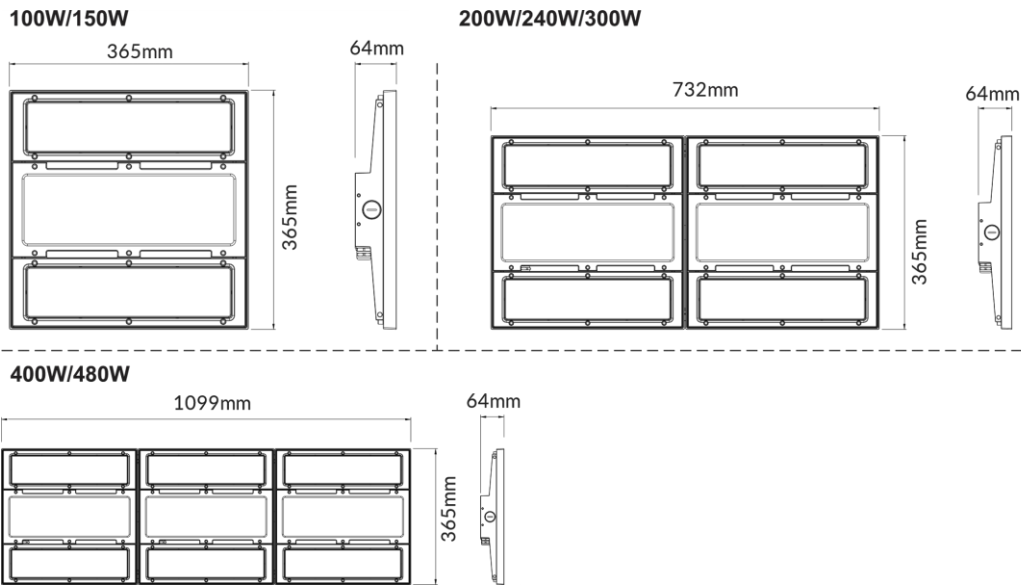
-  L = Live/Active (BROWN)
-  = Earth (YELLOW-GREEN)
-  N = Neutral (BLUE)

For luminaire fitted with flex & plug, plug in to the supply socket.



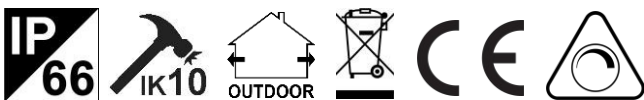
Unauthorized modification & improper installation void product warranty.

DIMENSIONS

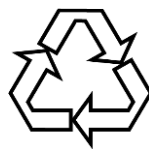


MAINTENANCE

The supply must be isolated before opening or accessing the luminaire. Product maintenance is critical to the products designed performance. Davis Lighting is not responsible for any product not maintained in accordance with the recommended procedure or intervals. It is recommended that a bi-annual cleaning cycle is implemented. Inspect optical surfaces for damage or crack. Products supplied with visors or covers must not be operated with a damaged visor or cover; it is recommended damaged visors or covers to be replaced by a competent person immediately. Seals and electrical components such as wirings to be checked for deterioration.



All photometric and electrical data published are of $\pm 10\%$ tolerance. Characteristics and specifications may change without notice. All electrical installations / connections should be carried out by a suitably qualified person. Application images are indicative only and may not contain actual Davis product. The information contained in this publication is typical and must not be interpreted as a guarantee of individual product performance.



This product may contain substances that can be hazardous to the environment if not disposed of correctly. Electrical and electronic equipment should never be discarded along with general waste but should be separated for correct treatment and recovery. Packaging and waste materials should be recycled wherever possible.