

Wyplash WPL

Exterior Lighting / Weatherproof



Features

Energy efficient IP65 [rotection weatherproof
Long life LED up to 50,000hrs by maintaining
>80% flux in accordance to LM80 standards
Polycarbonate body, opal diffuser & stainless steel clips
SELV compliant
EMC complaint to 300MHz
Maintenance free
Suitable for surface or pendant mount

Applications

Suitable for indoor or outdoor general use
Car parks
Corridors
Factories & warehouses



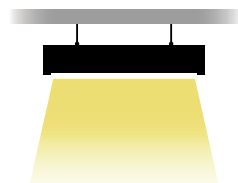
Standards

Manufactured under ISO 9001:2015 to standards
IEC/AS/NZS 60698.1
IEC/AS/NZS 60698.2.1
IEC/AS/NZS CISPR 15

Mounting Methods



Surface



Pendant



Wynplash WPL

Exterior Lighting / Weatherproof



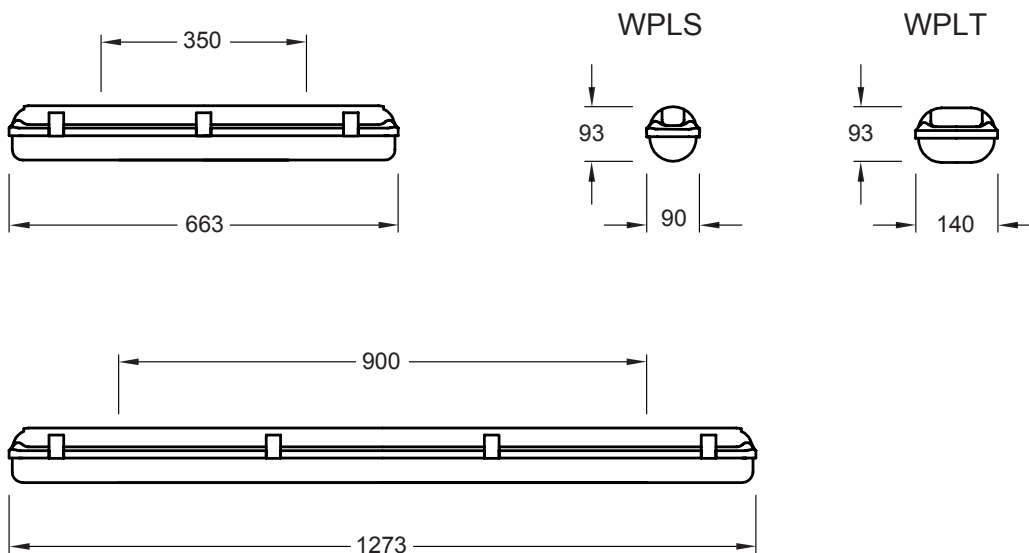
Specifications

Model		WPLS210xyK	WPLS220xyK	WPLS420xyK	WPLS435xyK	WPLT220xyK	WPLT420xyK	WPLT435xyK
Nominal Power (W)	RBL	10	20	25	35	20	25	35
	TBD	10	20	20	35	20	20	35
Input Voltage		200 - 240 VAC 50 / 60 Hz						
Luminous Flux (lm)	RBL	1040	1600	2050	3360	1780	2430	3360
	TBD	920	1640	2120	3520	1780	1900	3760
Efficacy (lm/W)	RBL	104	80	82	96	89	97	96
	TBD	92	82	106	101	89	95	107
Power Factor		0.90						
Colour Temp. (K)		3000 / 4000 / 6500						
CRI		> 80						
Beam Angle (°)		> 100						
LED Life L70B50 (hr)		50,000						
Ambient Temp. (Ta)		35 °C						
Weight (kg)		1.20	1.20	1.80	1.80	1.40	1.80	2.50

"x" denotes LED system, RBL = Osram system ; TBD = Tridonic system

"y" denotes CCT, 3 = 3000K ; 4 = 4000K ; 6 = 6500K

Dimensions



All photometric and electrical data published are of ±10% tolerance. Characteristics and specifications may change without notice. All electrical installations / connections should be carried out by a suitably qualified person. Application images are indicative only and may not contain actual Davis product. The information contained in this publication is typical and must not be interpreted as a guarantee of individual product performance.