

Installation Instruction



FLORYN – FLE SERIES



- Read all instructions to prevent injury, electric shock or damage due to fire or mechanical hazards.
- See product label for supply specifications.

Storage:

Prior to installation products are to be stored in cool and dry conditions.

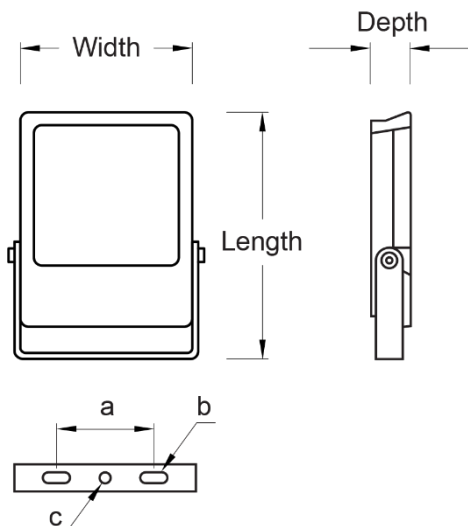
Application:

The installation application and orientation of the product is designed in accordance with the nominated product IP rating, class designation. Installation environments outside these conditions are not recommended.

Cautions:

- Electronic control equipment must not be subjected to high voltages, DO NOT MEGGER between Live and Neutral.
- The wiring should comply with voltage $\geq 300/500V$ and national standard with minimum 3 x 1 mm.
- If the luminaire is installed in high altitude or open places, it is required to use a surge protection device (10Kv, purchased by the customer).
- All cable/conduit terminations must be installed in accordance with the designated IP rating of this product.
- Suitable installation fastening methods should be employed to ensure the mounting points are not damaged when subjected to vibration and or movement.
- The external flexible cable or cord of this luminaire cannot be replaced; if the cord is damaged, the luminaire shall be destroyed.
- The light source contained in this luminaire shall only be replaced by the manufacturer or his service agent or similar qualified person.
- This luminaire cannot be disassembled by non-professional.
- This luminaire must be installed by qualified electrician in accordance with local rules and codes.
- This luminaire is not suitable for covering with thermally insulating material.
- The light source of this luminaire is not replaceable; when the light source reaches its end of life the whole luminaire shall be replaced.

Dimensions:



Model	Length (mm)	Width (mm)	Depth (mm)	a (mm)	b (mm)	c (mm)
FLE30WxK	180	120	42	70	6x12	Ø6.5
FLE50WxK	211	142	42	85	6x14	Ø8
FLE100WxK	270	185	45	100	9x18	Ø8
FLE150WxK	344	238	48	150	9x18	Ø9
FLE200WxK	420	285	48	170	10x20	Ø11

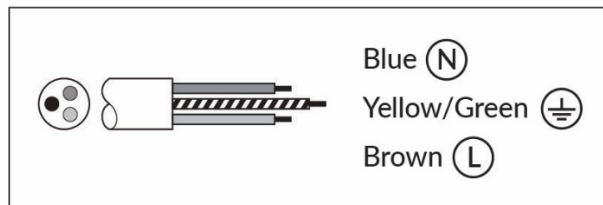
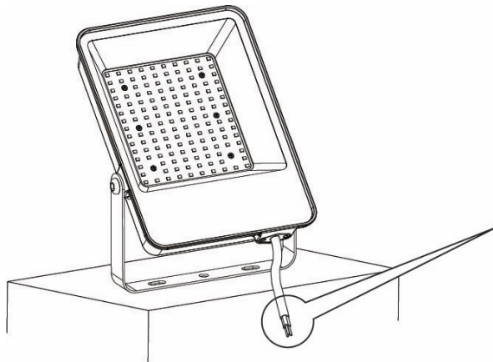
"x" denotes CCT, 3 = 3000K ; 4 = 4000K ; 5 = 5000K ; 6 = 6000K

Installation:

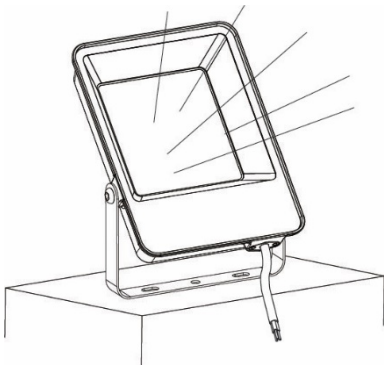
1. Loosen trunnion arm bolts, adjust to desired angle and fasten the bolt using spanner.



2. Mount the fitting to wall or ground and connect to power supply.



3. Turn ON power.



Maintenance:

The supply must be isolated before opening or accessing the luminaire. Product maintenance is critical to the products designed performance. Davis Lighting is not responsible for any product not maintained in accordance with the recommended procedure or intervals. It is recommended that a bi-annual cleaning cycle is implemented. Inspect optical surfaces for damage or crack. Products supplied with visors or covers must not be operate with a damaged visor or cover; it is recommended damaged visors or covers be replaced by a competent person immediately. Seals and electrical components such as wirings to be checked for deterioration.

