

DAVIS LIGHTING

## Installation Instruction



### FLORYN – FLS G2



- Read all instructions to prevent injury, electric shock or damage due to fire or mechanical hazards.
- See product label for supply specifications.

#### Storage:

Prior to installation products are to be stored in cool and dry conditions.

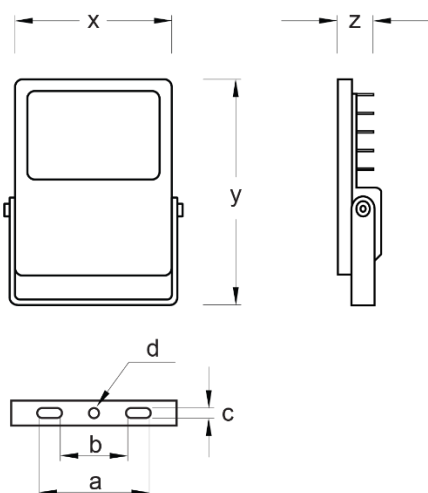
#### Application:

The installation application and orientation of the product is designed in accordance with the nominated product IP rating, class designation. Installation environments outside these conditions are not recommended.

#### Cautions:

- Electronic control equipment must not be subjected to high voltages, DO NOT MEGGER between Live and Neutral.
- All cable/conduit terminations must be installed in accordance with the designated IP rating of this product.
- Suitable installation fastening methods should be employed to ensure the mounting points are not damaged when subjected to vibration and or movement.
- This luminaire must be installed by qualified electrician in accordance with local rules and codes.
- Terminal block not included. The electrical fitting must be installed by a licensed electrician.
- This luminaire cannot be disassembled by non-professional.
- If the external flexible cable or cord of this luminaire is damaged, it shall be exclusively replaced by the manufacturer or his service agent or a similar qualified person in order to avoid a hazard.
- The light source contained in this luminaire shall only be replaced by the manufacturer or his service agent or a similar qualified person.

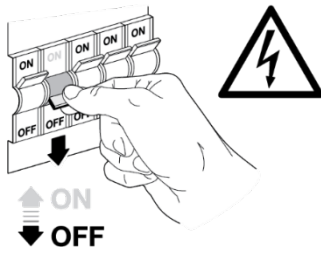
#### Dimensions:



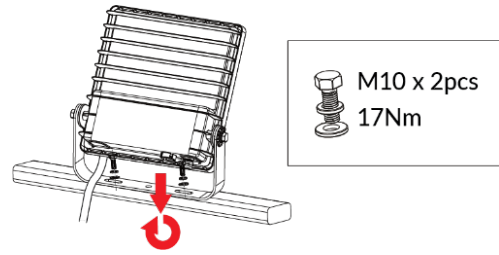
Model	x (mm)	y (mm)	z (mm)	a (mm)	b (mm)	c (mm)	d (mm)
FLS30G2	214	247	57	119	81	11	Ø 11
FLS50G2	214	247	57	119	81	11	Ø 11
FLS100G2	244	301	64	163	121	11	Ø 11
FLS150G2	274	343	65	170	120	11	Ø 11
FLS200G2	316	398	69	190	120	11	Ø 11
FLS240G2	383	444	76	260	180	11	Ø 11
FLS300G2	383	444	76	260	180	11	Ø 11

**Installation:**

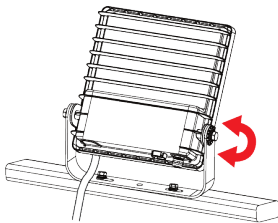
1. Turn OFF mains power.



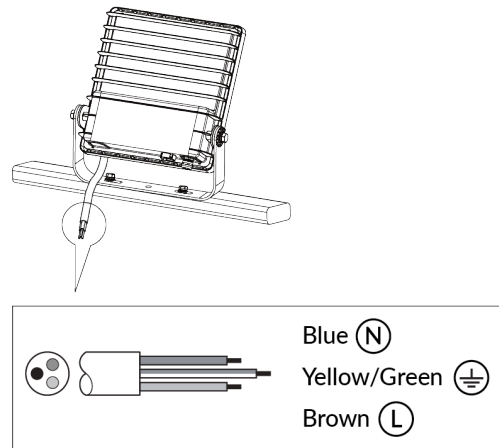
2. Mount the fitting to wall or ground and tighten the bolts using spanner.



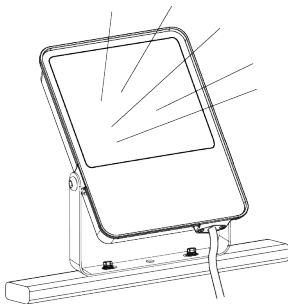
3. Loosen trunnion arm bolts, adjust to desired angle and fasten the bolts.



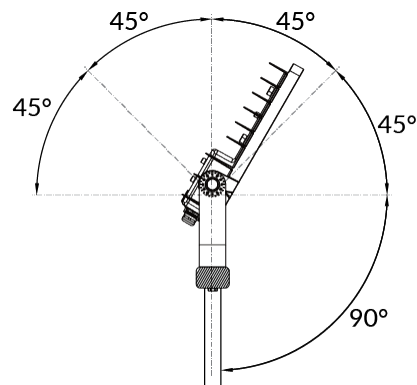
4. Connect to power supply.



5. Turn ON power.



*Adjustable trunnion arm:*



**Maintenance:**

The supply must be isolated before opening or accessing the luminaire. Product maintenance is critical to the products designed performance. Davis Lighting is not responsible for any product not maintained in accordance with the recommended procedure or intervals. It is recommended that a bi-annual cleaning cycle is implemented. Inspect optical surfaces for damage or crack. Products supplied with visors or covers must not be operate with a damaged visor or cover; it is recommended damaged visors or covers be replaced by a competent person immediately. Seals and electrical components such as wirings to be checked for deterioration.

