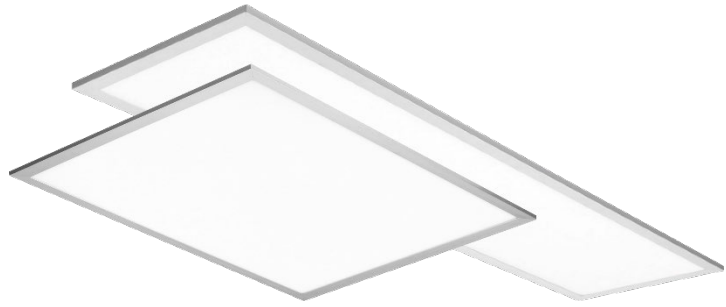


DAVIS LIGHTING

Installation Instruction



FRIPSIA - FPB & FPU



- Read all instructions to prevent injury, electric shock or damage due to fire or mechanical hazards.
- See product label for supply specifications.

Storage:

Prior to installation products are to be stored in cool and dry conditions.

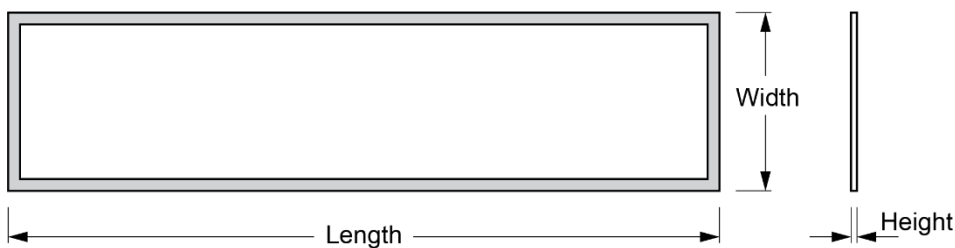
Application:

The installation application and orientation of the product is designed in accordance with the nominated product IP rating, class designation. Installation environments outside these conditions are not recommended. The product is designed to be installed in the horizontal orientation only.

Cautions:

- Electronic control equipment must not be subjected to high voltages, DO NOT MEGGER between Live and Neutral.
- All cable/conduit terminations must be installed in accordance with the designated IP rating of this product.
- Suitable installation fastening methods should be employed to ensure the mounting points are not damaged when subjected to vibration and or movement.
- This light source of this luminaire is not replaceable. When the light source reaches it end of life, the whole luminaire shall be replaced.

Dimensions:

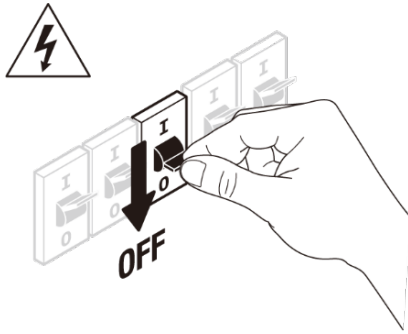


Model	Dimension (mm)
FPBW230 / FPBW235 / FPUW230 / FPUW235	595 x 595 x 9
FPB430 / FPB435 / FPU430 / FPU435	1195 x 295 x 9
FPBW450	1195 x 595 x 9

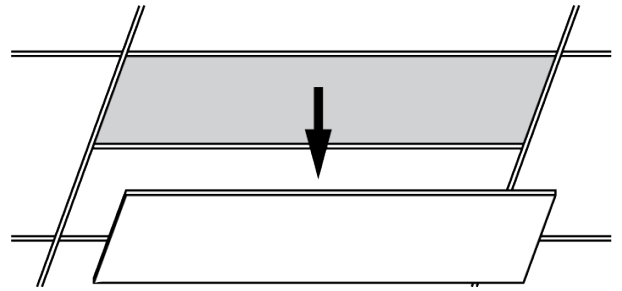
"x" denotes CCT, 3 = 3000K ; 4 = 4000K ; 6 = 6000K

Installation:

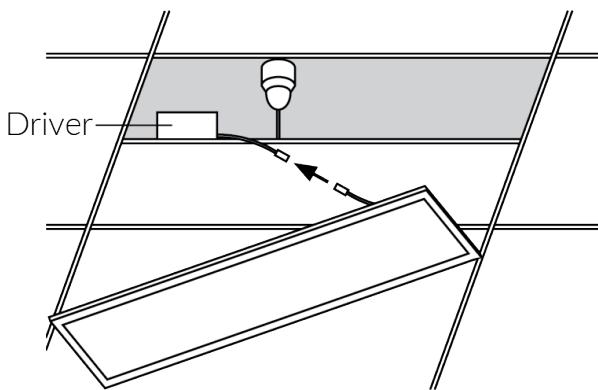
1. Turn OFF the main supply.



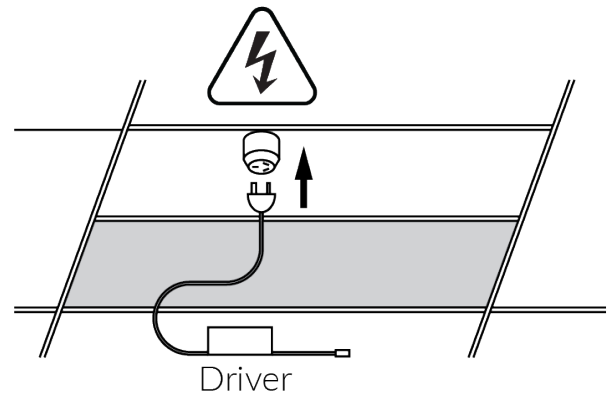
2. Remove or cut ceiling tile as dimension provided.



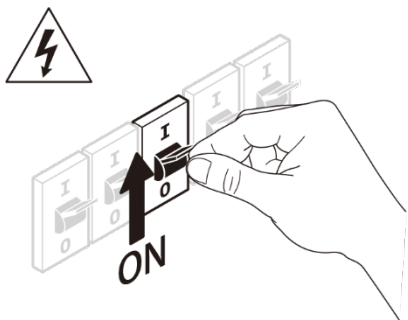
3. Connect LED panel to its driver.



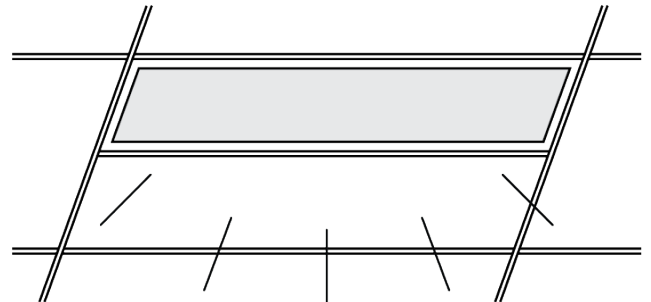
4. If flex and plug is supplied, connect plug to socket. Otherwise, connect mains to driver input terminal.



5. Turn ON the main supply.



6. Panel light should lit when it is turned ON.



Maintenance:

The supply must be isolated before opening or accessing the luminaire. Product maintenance is critical to the products designed performance. The product is to be maintained in accordance with the manufacturer's instructions. Davis Lighting is not responsible for any product not maintained in accordance with the recommended procedure or intervals. For recommended LAMP / LED maintenance guides, please refer to the lamp installation guidelines supplied with the lamp product or the nominated lamp manufacturer's website. Products supplied with visors or covers must not be operate with a damaged visor or cover; it is recommended damaged visors or covers be replaced by a competent person immediately.

