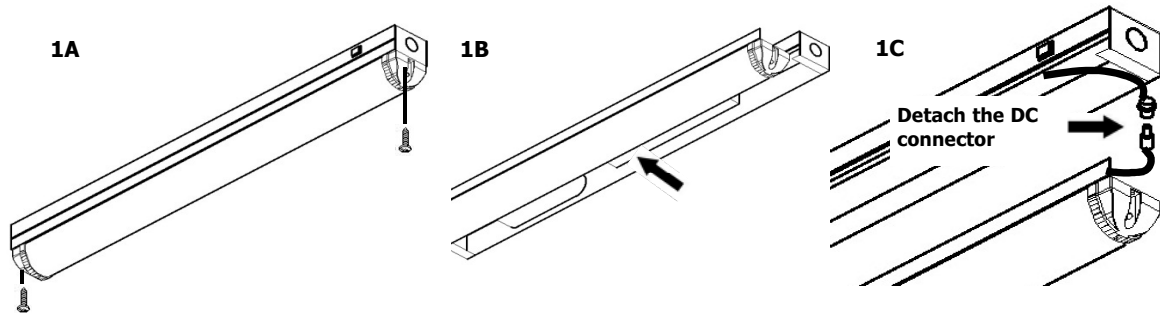


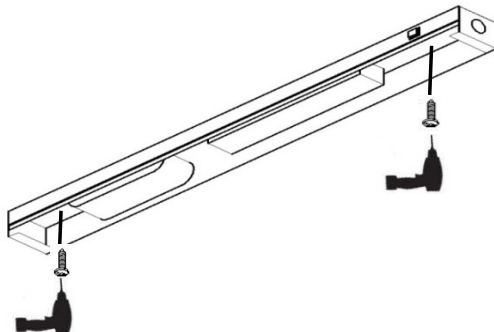
- Important:**
1. Luminaire to be installed by qualified persons only.
  2. For indoor application only.
  3. Ensure mains supply is disconnected prior to any maintenance or installation work.
  4. LED lamp is non replaceable. When the light source reaches its end of life the whole luminaire shall be replaced.
  5. The battery of a self-contained emergency luminaire is not a user serviceable item and shall only be replaced by a competent person.

**General Installation:**

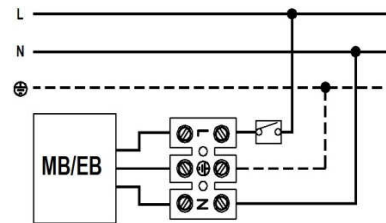
1. Remove LED module as shown.



2. Install fixture with 4 mounting screws as shown.

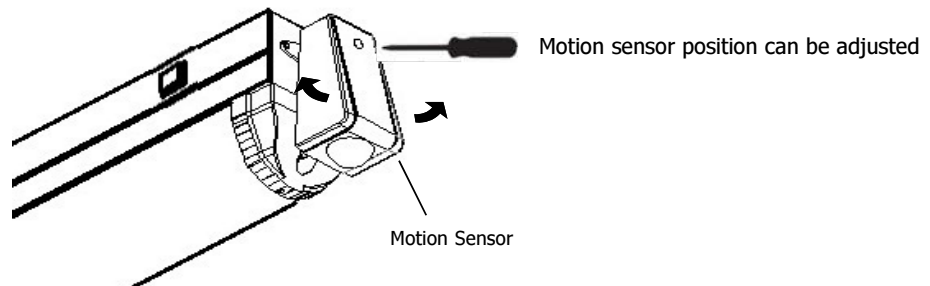


3. Connect to power supply as shown.



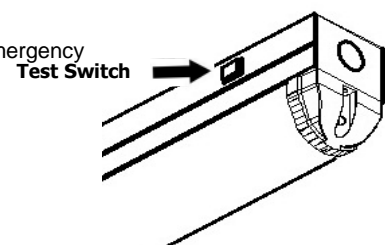
4. Reinstall cover by reversing the process of 1C, 1B, 1A.

**For Motion Sensor :**

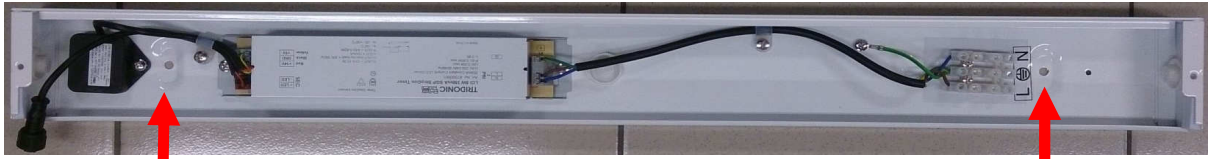


**For Emergency :**

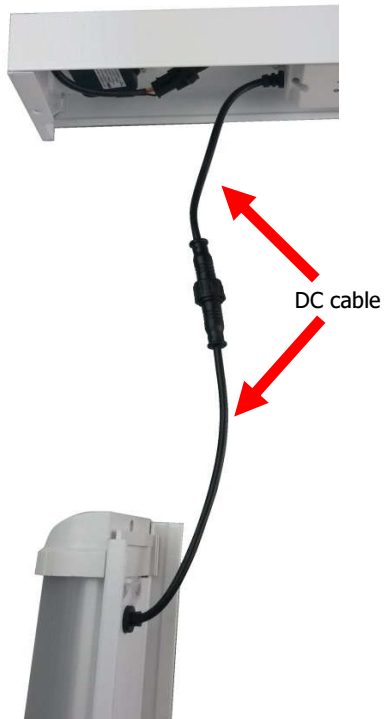
1. Battery should be replaced when it no longer meets its rated duration of operation.
2. Testing should be carried out in accordance with the recommendation of SS563.
3. There is a test switch (test facilities) incorporated in each of the self-contained emergency luminaire.
4. To test, press test switch. The LED lamp will change to emergency mode.
5. When switch is released, it will change back to normal mode.
6. Allow units to charge for 24 hours before full load testing for its rated duration.



### Important During Installation



Mounting holes for mounting



Ensure LED module are properly install into end cap guiding slot.



**Do not** use DC cable for hanging the LED module.  
Use hanging hook if required for hanging.