

DAVIS LIGHTING

## Installation Instruction



### HELIO - SLH



MUST BE INSTALLED  
BY A LICENSED  
ELECTRICIAN

- Read all instructions to prevent injury, electric shock or damage due to fire or mechanical hazards.
- See product label for supply specifications.

#### Storage:

Prior to installation products are to be stored in cool and dry conditions.

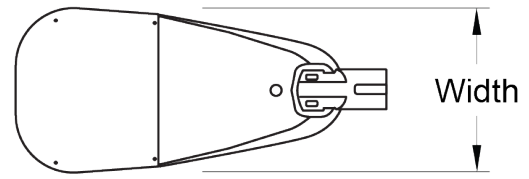
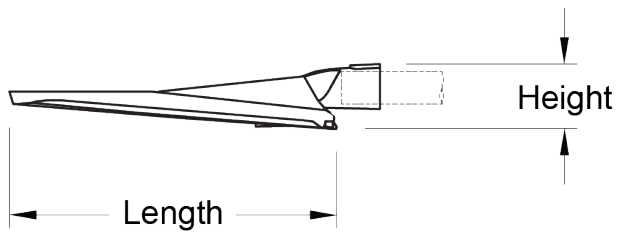
#### Cautions:

- Electronic control equipment must not be subjected to high voltages, DO NOT MEGGER between Live and Neutral.
- All cable/conduit terminations must be installed in accordance with the designated IP rating of this product.
- Suitable installation fastening methods should be employed to ensure the mounting points are not damaged when subjected to vibration and or movement.
- Turn OFF power before installation and maintenance.
- Proper grounding is required to ensure safety.
- If the external flexible cable or cord of this luminaire is damaged, it shall be replaced by a special cord or cord exclusively available from the manufacturer or his service agent.
- The light source contained in this luminaire shall only be replaced by the manufacturer or his service agent or a similar qualified person.
- Terminal block not included. The electrical fitting must be installed by a licensed electrician.
- Terminal block used must comply to **IEC60998-1, IEC60998-2-1, 3 poles, 450v, T110, 6mm<sup>2</sup>**.
- Make sure the clips for closing the casing are closed properly in order to ensure the fixture's water tightness.
- To avoid damage, failing, electric shock or fire, please do not modify the lamp or replace accessories without confirming with the supplier first.

#### Maintenance:

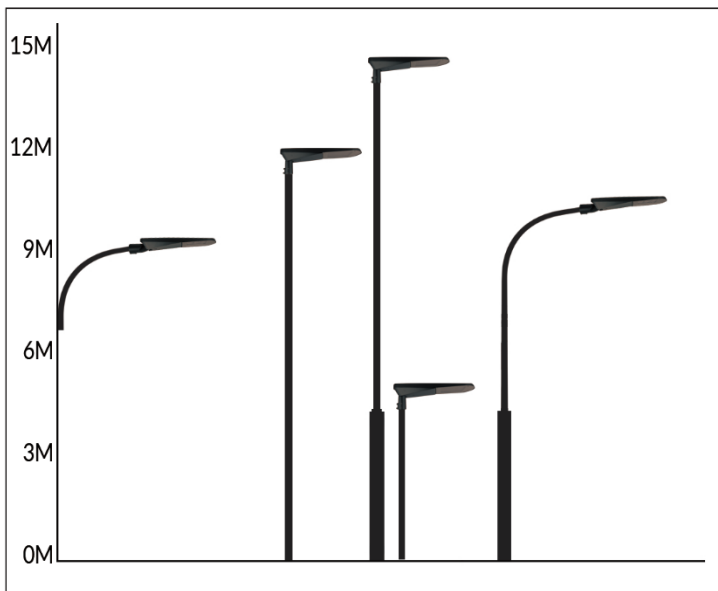
The supply must be isolated before opening or accessing the luminaire. Product maintenance is critical to the products designed performance. Davis Lighting is not responsible for any product not maintained in accordance with the recommended procedure or intervals. It is recommended that a bi-annual cleaning cycle is implemented. Inspect optical surfaces for damage or crack. Products supplied with visors or covers must not be operate with a damaged visor or cover; it is recommended damaged visors or covers be replaced by a competent person immediately. Seals and electrical components such as wirings to be checked for deterioration.

**Dimensions:**



Model	Power (W)	Dimension (mm)			Spigot diameter (mm)	Weight (kg)	Maximum Projected Area (m <sup>2</sup> )	Dimension of Connection box Compartment (mm)
		Length	Width	Height				
SLH1	30 / 60	500	270	118	42-60	5.7	0.110	42-60
SLH3	80 / 100 / 120	600	300	108	42-60	7.9	0.143	42-60
SLH5	150 / 180 / 200	790	380	130	42-60 60-76	13.0	0.239	42-60 60-76
SLH7	220 / 240 / 250 / 280 / 300 / 320	940	450	150	42-60 60-76	19.0	0.332	42-60 60-76

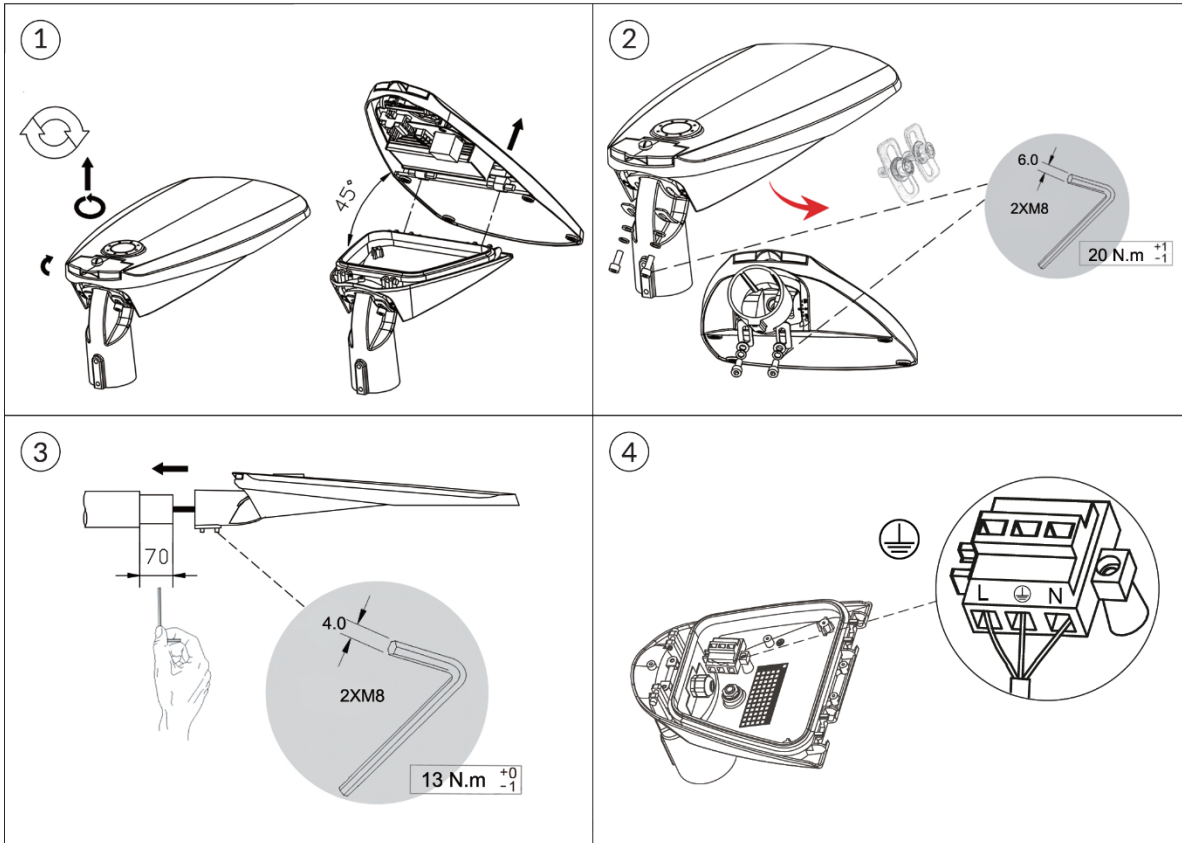
**Mounting Height**



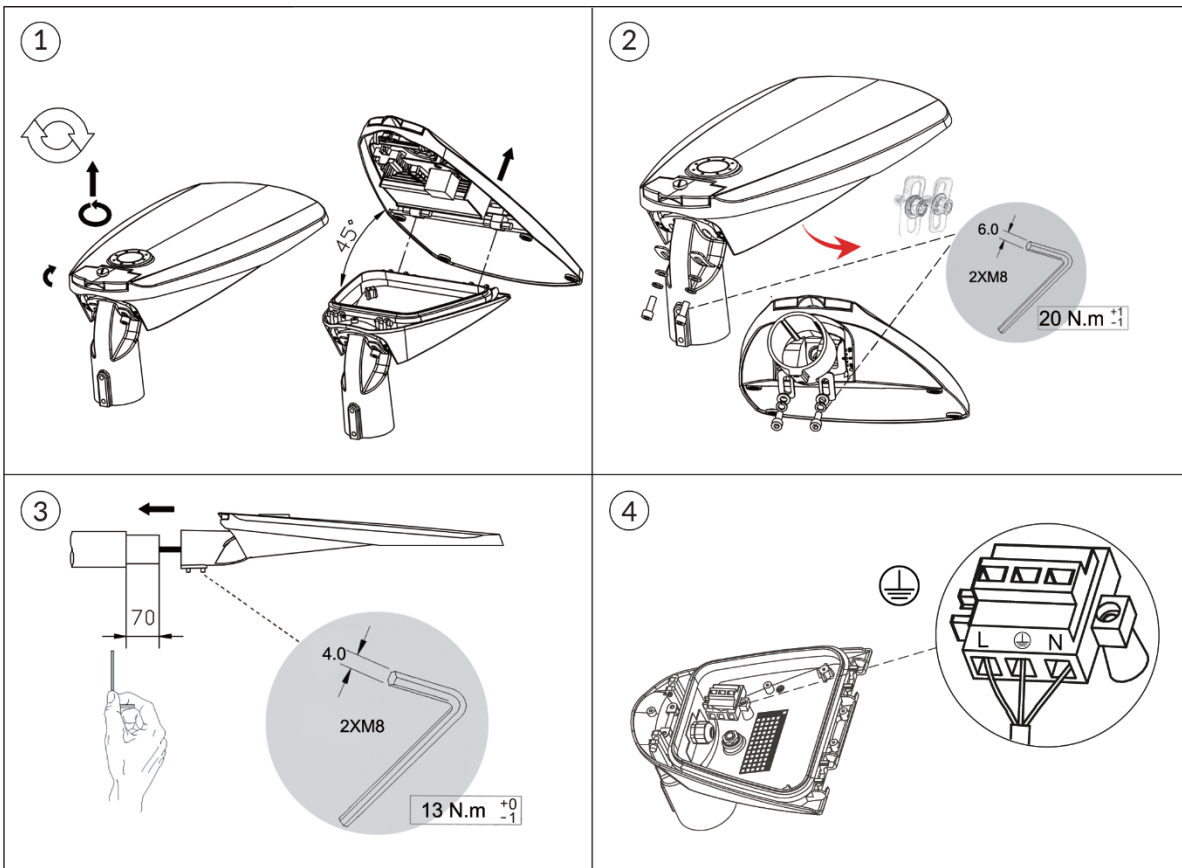
Model	Recommended Mounting Height (m)
SLH1	3 - 6
SLH3	4 - 8
SLH5	6 - 12
SLH7	12 - 15

Installations:

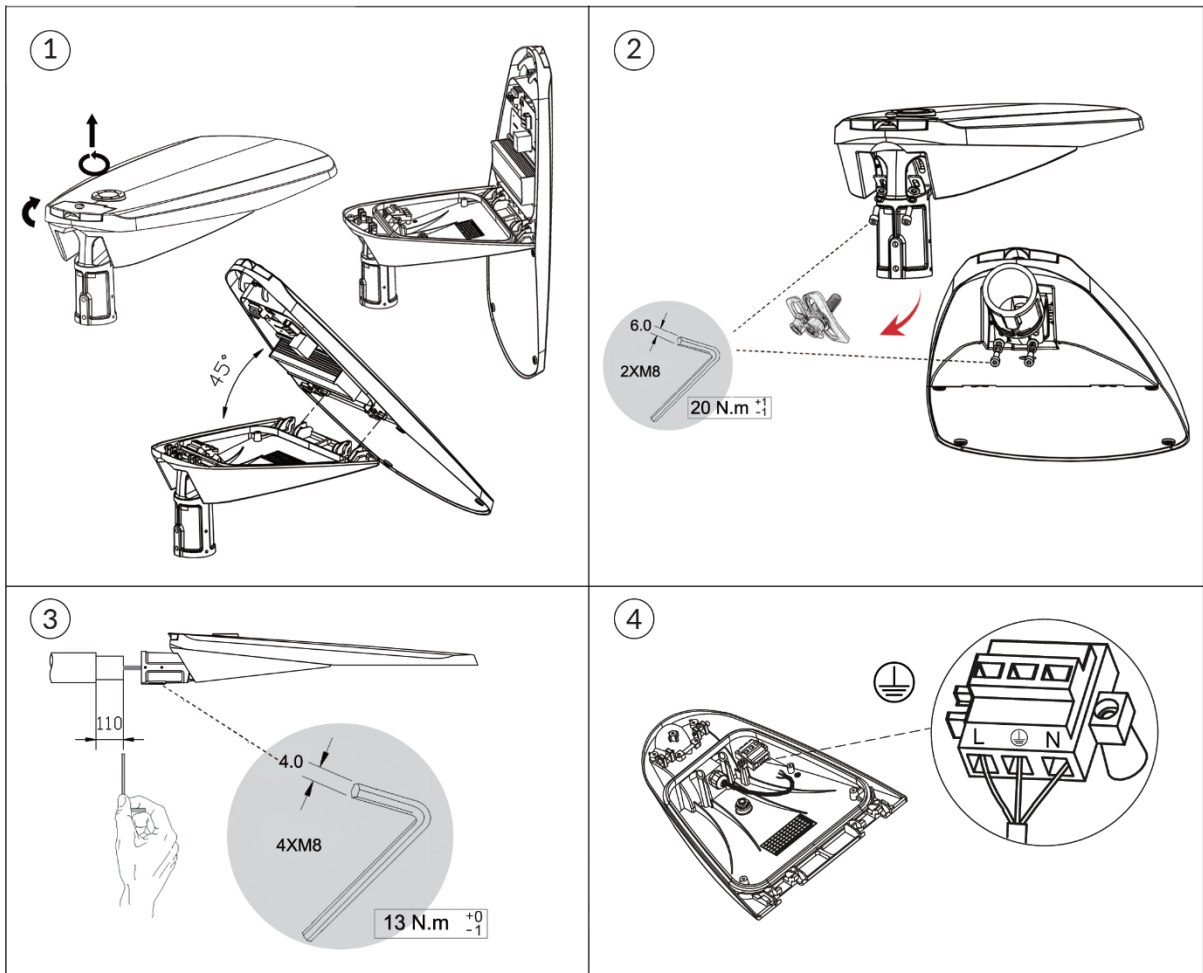
SLH1



SLH3



# SLH5



# SLH7

