

This installation guide is valid for the following models:

- Limerick - LMS



## PRIOR TO INSTALLATION



- Read all instructions to prevent injury, electric shock or damage due to fire or mechanical hazards
- See product label for supply specifications
- Suitable for T-Bar and plastered recessed mount only.



Inspect the luminaire and associated parts for any signs of defect, in particular fasteners, cables and the diffuser or glass lens

**DO NOT INSTALL THE LUMINAIRE IF IT APPEARS IN ANY WAY FAULTY**

Consult with the supplier / sales office for details regarding replacement



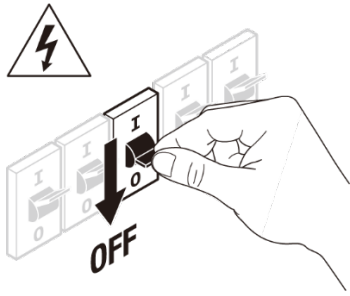
## CAUTION



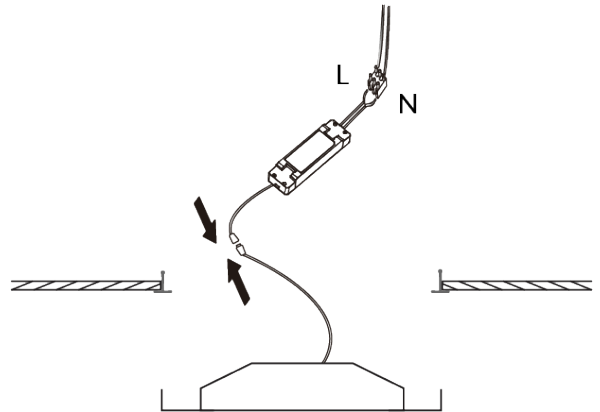
- Before commencing installation, turn off and isolate the electrical supply
- Electronic control equipment must not be subjected to high voltages. **DO NOT MEGGER** between Live and Neutral
- All cable / conduit terminations must be installed in accordance with the designated IP rating of this product
- Suitable installation fastening methods should be employed to ensure the mounting points are not damaged when subjected to vibration and / or movement
- This luminaire must be installed by qualified electrician in accordance with local rules and codes
- This luminaire cannot be disassembled by non-professional persons
- If the external flexible cable or cord of this luminaire is damaged, it shall be exclusively replaced by the manufacturer or his service agent or a similar qualified person in order to avoid a hazard
- The light source contained in this luminaire shall only be replaced by the manufacturer or his service agent or a similar qualified person
- Maintain luminaire and driver clearance distance and also clearance distance from building parts as per local requirements or in accordance to AS/NZS 3000, whichever is greater. **WARNING - RISK OF OVERHEATING OR FIRE IF THE CLEARANCE DISTANCES ARE COMPROMISED**

# INSTALLATION

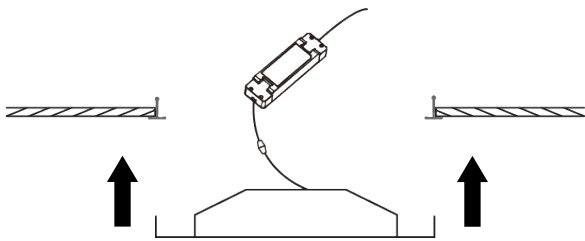
1. Turn OFF the main supply



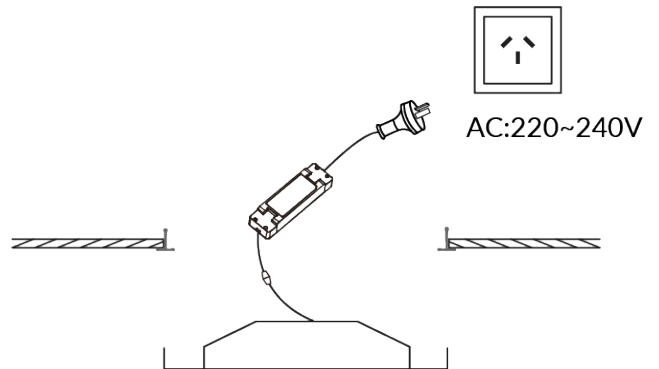
2. Connect the DC cable from driver to fitting then connect mains supply



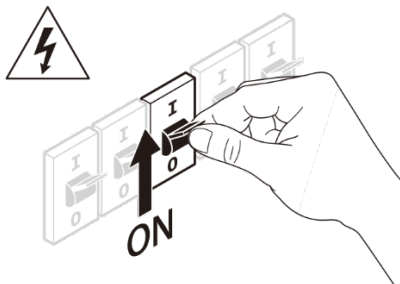
3. Place the luminaire to the T-bar ceiling



4. If the luminaire is installed with flex & plug, place the luminaire to the T-bar ceiling then insert plug to the appropriate supply socket.

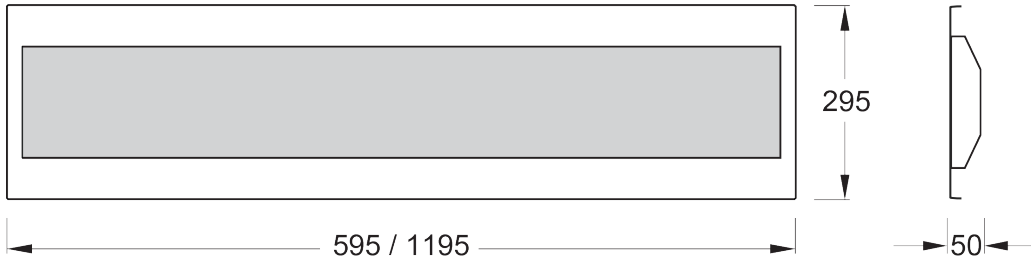


5. Turn ON the main supply

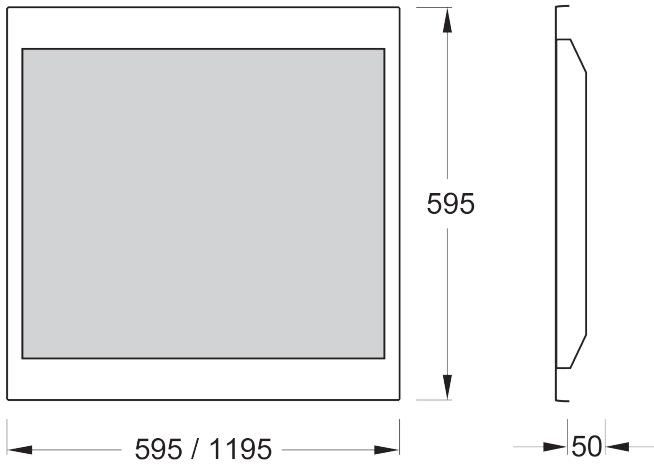


# DIMENSIONS

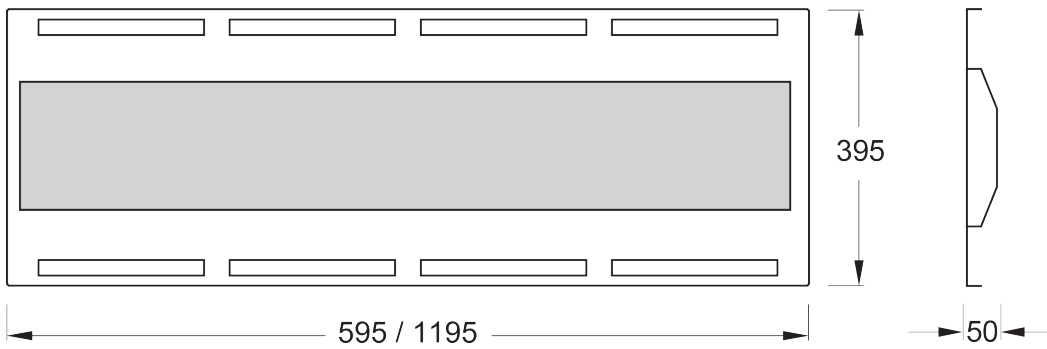
LMS



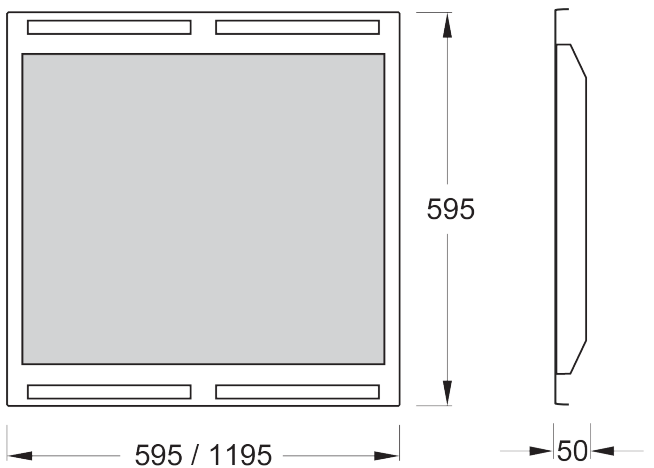
LMSW



LMSM Air-Handling



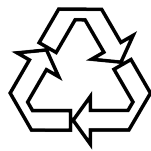
LMSW Air-Handling



## MAINTENANCE

The supply must be isolated before opening or accessing the luminaire. Product maintenance is critical to the products designed performance. Davis Lighting is not responsible for any product not maintained in accordance with the recommended procedure or intervals. It is recommended that a bi-annual cleaning cycle is implemented. Inspect optical surfaces for damage or crack. Products supplied with visors or covers must not be operate with a damaged visor or cover; it is recommended damaged visors or covers be replaced by a competent person immediately. Seals and electrical components such as wirings to be checked for deterioration.

All photometric and electrical data published are of  $\pm 10\%$  tolerance. Characteristics and specifications may change without notice. All electrical installations / connections should be carried out by a suitably qualified person. Application images are indicative only and may not contain actual Davis product. The information contained in this publication is typical and must not be interpreted as a guarantee of individual product performance.



This product may contain substances that can be hazardous to the environment if not disposed of correctly. Electrical and electronic equipment should never be discarded along with general waste but should be separated for correct treatment and recovery. Packaging and waste materials should be recycled wherever possible.

### CONTACT

#### **Australia Head Office & Sales**

Davex Australia Pty Ltd  
Head Office: +61 (7) 3712 8988  
Sales Offices: 1300 851 001  
Fax: +61 (7) 3272 8988  
Email: [australia@davislighting.com](mailto:australia@davislighting.com)

#### **Malaysia Head Office & Sales**

Davex Malaysia Sdn Bhd (114942-X)  
Phone: +60 (3) 5636 4348  
Fax: +60 (3) 5636 4352  
Email: [malaysia@davislighting.com](mailto:malaysia@davislighting.com)

#### **Singapore Head Office & Sales**

Davex Singapore Pte Ltd  
Phone: +65 6745 2511  
Fax: +65 6745 5828  
Email: [singapore@davislighting.com](mailto:singapore@davislighting.com)