

Installation Instruction



NUSSA - NUL & NULW



- Read all instructions to prevent injury, electric shock or damage due to fire or mechanical hazards.
- See product label for supply specifications.
- Suitable for T-Bar recessed mount only.

Storage:

Prior to installation products are to be stored in cool and dry conditions.

Application:

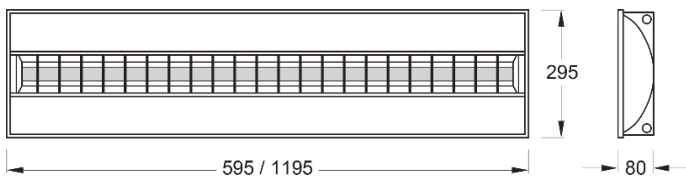
The installation application and orientation of the product is designed in accordance with the nominated product IP rating, class designation. Installation environments outside these conditions are not recommended.

Cautions:

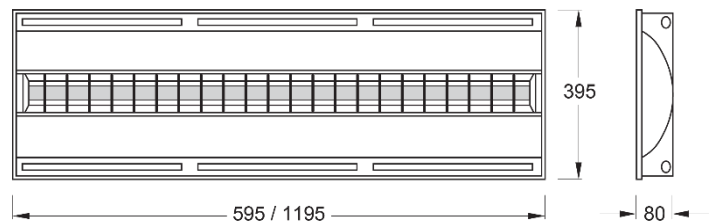
- Electronic control equipment must not be subjected to high voltages, DO NOT MEGGER between Live and Neutral.
- All cable/conduit terminations must be installed in accordance with the designated IP rating of this product.
- Suitable installation fastening methods should be employed to ensure the mounting points are not damaged when subjected to vibration and or movement.
- This luminaire must be installed by qualified electrician in accordance with local rules and codes.
- This luminaire cannot be disassembled by non-professional.
- If the external flexible cable or cord of this luminaire is damaged, it shall be exclusively replaced by the manufacturer or his service agent or a similar qualified person in order to avoid a hazard.
- The light source contained in this luminaire shall only be replaced by the manufacturer or his service agent or a similar qualified person.
- Maintain luminaire and driver clearance distance and also clearance distance from building parts as per local requirements or in accordance to AS/NZS 3000, whichever is greater. WARNING - RISK OF OVERHEATING OR FIRE IF THE CLEARANCE DISTANCES ARE COMPROMISED.

Dimensions (mm):

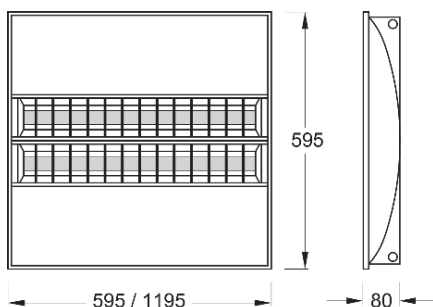
NUL



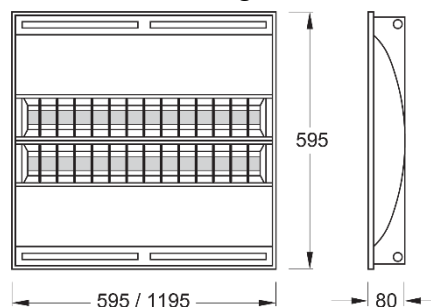
NUL Air-Handling



NULW

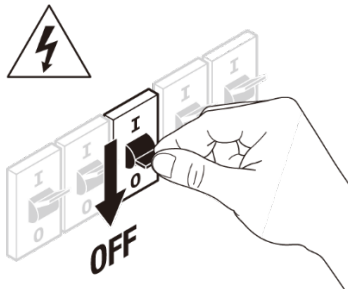


NULW Air-Handling

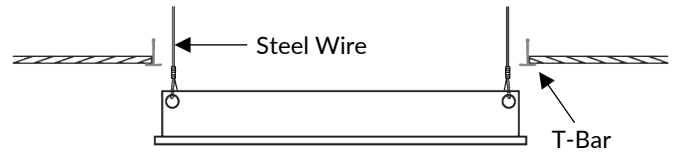


Installation:

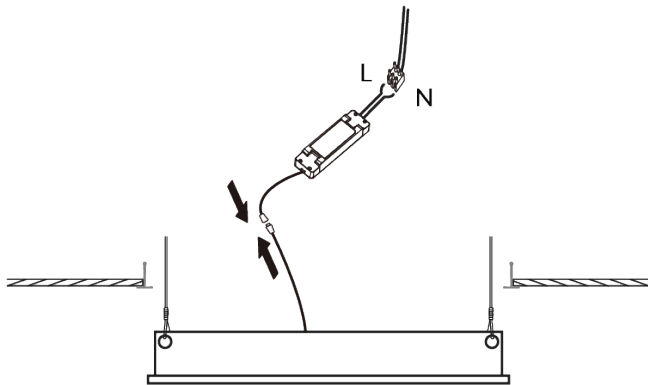
1. Turn OFF the main supply.



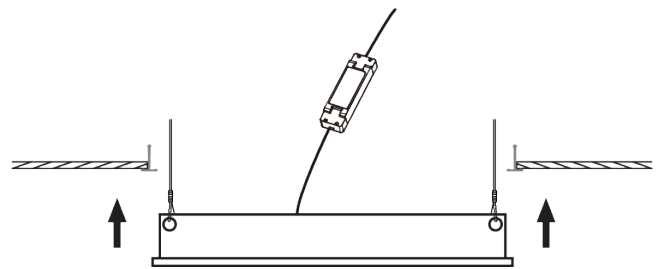
2. This luminaire is to be installed direct lay on T-Bar ceiling. For extra safety, this luminaire can be suspended from roof truss or concrete slab by using steel wires and hooked from the 4 hanging holes provided. (Steel wires not provided)



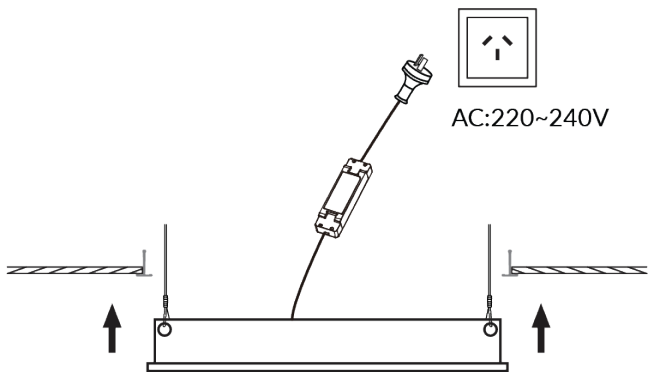
3. a) Connect the DC cable from driver to fitting then connect mains supply.



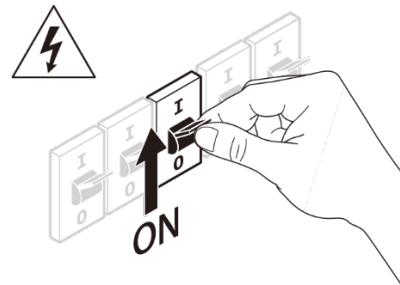
- b) Place the luminaire to the T-bar ceiling.



4. If the luminaire is installed with flex & plug, place the luminaire to the T-bar ceiling then insert plug to the appropriate supply socket.



5. Turn ON the main supply.



Warning:

This luminaire is not suitable for installation in locations where thermal insulation is present, or may reasonably be expected to be installed in the future, or where there is a likelihood of other combustible material, e.g., leaves or vermin debris, etc. collecting on or around the luminaire. It is not suitable for domestic installations or installation in residential areas of non-domestic installations (residential institutions, hotels, boarding houses, hospitals, accommodation houses, motels, hostels and the like).

Maintenance:

The supply must be isolated before opening or accessing the luminaire. Product maintenance is critical to the products designed performance. Davis Lighting is not responsible for any product not maintained in accordance with the recommended procedure or intervals. It is recommended that a bi-annual cleaning cycle is implemented. Inspect optical surfaces for damage or crack. Products supplied with visors or covers must not be operate with a damaged visor or cover; it is recommended damaged visors or covers be replaced by a competent person immediately. Seals and electrical components such as wirings to be checked for deterioration.

