

# Installation Instructions



Aluminium Reflector

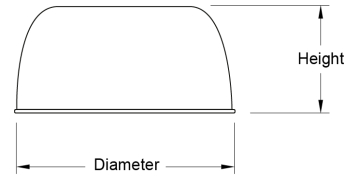


PC Refractor

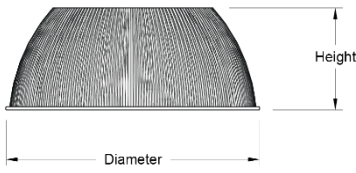


Conical Cover

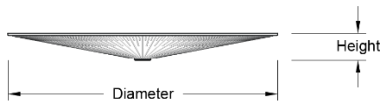
## UTOFIA - UFS Aluminium Reflector / PC Refractor & Conical Cover



Aluminium Reflector



PC Refractor



Conical Cover

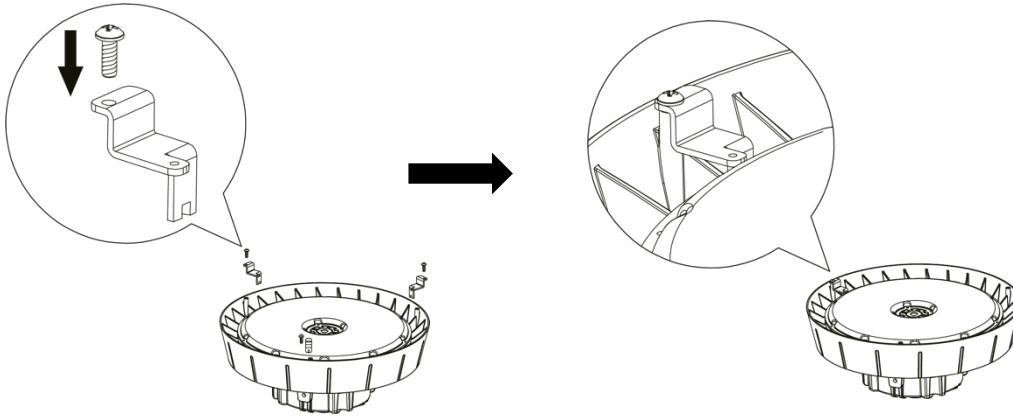
Aluminium Reflector	Diameter (mm)	Height (mm)	Suitable for Model
UFSRFL290	Ø471	152	80W - 150W
UFSRFL350	Ø526	152	200W - 240W

PC Refractor	Diameter (mm)	Height (mm)	Suitable for Model
UFSRFA290	Ø410	170	80W - 150W
UFSRFA350	Ø410	202	200W - 240W

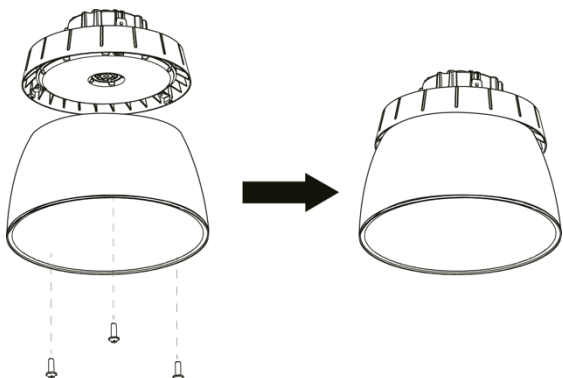
Conical Cover + Ring Clamp	Diameter (mm)	Height (mm)	Suitable for Model
UFSRFACC	Ø404	40	80W - 240W

### Installation

1. Install supplied brackets to existing screw bosses on UFS body. There are three 3 brackets.



2. Line up reflector on top of installed brackets and fix properly using supplied screws.



### Optional

3. To install cover, place the cover onto reflector and install ring clamp to secure the cover.

