

# Nussa - NUC

Commercial Lighting / High Performance Troffer



## Features

- Recessed mounted high performance luminaire with low glare curved diffuser
- Steel body with white powder-coated finish
- Flicker-free and uniform illumination to ensure maximum lighting comfort
- Customisable lumen output and system power
- Smart system ready - DALI DT6 and DT8 Tunable White options available
- Complies with J6 and UGR19\*
- CRI >90 as standard
- COI compliant
- Seismic restraint capable



## Applications

- Office
- Boardroom
- Education
- Healthcare

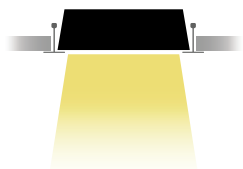
## Options

- Air-handling
- DALI DT6 and DT8
- Tunable White
- Customizable size
- Motion sensor & daylight harvesting

## Standards

- Manufactured under ISO 9001:2015 to standards
- IEC/AS/NZS 60598.1
- IEC/AS/NZS 60598.2.1
- IEC/AS/NZS 60598.2.2
- IEC/AS/NZS CISPR 15

## Mounting Methods



T-Bar Lay-in



Plaster Recessed  
*-with plaster frame*



\* Based on typical office simulation

# Nussa - NUC

Commercial Lighting / High Performance Troffer



DAVIS LIGHTING

## Product Code Key

Model	Nominal Size	Power	-	Air Handling	CRI & Colour Temp.	Dimming
NUC	2 = 600x300mm	10 = 10W		A10 = Side Air	R83 = CRI>80, 3000K	D10 = DALI
	M2 = 600x300mm	15 = 15W		A21 = Concealed Air	R84 = CRI>80, 4000K	
	4 = 1200x300mm	20 = 20W			R93 = CRI>90, 3000K	
	M4 = 1200x300mm	25 = 25W			R94 = CRI>90, 4000K	
		30 = 30W				
		35 = 35W				
		40 = 40W				
	W2 = 600x600mm	20 = 20W				
		25 = 25W				
		30 = 30W				
		35 = 35W				
		40 = 40W				
W4 = 1200x600mm	20 = 20W			Side air handling available only for NUCW2, NUCW4, NUCM2, NUCM4		
	25 = 25W					
	30 = 30W					
	35 = 35W			Omit for standard non air handling		Omit for standard non dimmable
	40 = 40W					

e.g. NUC420-R84D10 = NUC 1200x300mm, 20W, CRI>80, 4000K, DALI

## Model Number Example

Model code: NUC420-R94D10

Model Number	NUC	4	20	-	R94	D10
Description	Nussa	1200x300mm	20W	-	CRI>90, 4000K	DALI

Model code: NUCW230-A10R94

Model Number	NUC	W2	30	-	A10	R94
Description	Nussa	600x600mm	30W	-	Side Air Handling	CRI>90, 4000K

## Specifications

Base Model	NUC425	NUC430	NUC435	NUC440
Nominal Power (W)	25	30	35	40
Input Voltage	220 - 240 VAC 50 / 60 Hz			
Luminaire Flux (lm)*	2670	3199	3481	4032
Luminaire Efficacy (lm/W)*	105	104	103	102
CRI	>90 (>80 optional)			
Power Factor	> 0.90			
Colour Temp. (K)	3000 / 4000			
Luminaire Rated Life (hrs)	> 50,000			
UGR	< 19 **			
SDCM	3			
Operating Temp. (°C)	-20 to +35			
Weight (kg)	4.0			

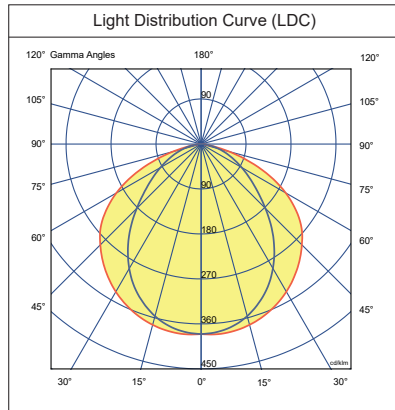
\*Specifications shown for 4000K

\*\* Subject to design & room parameters

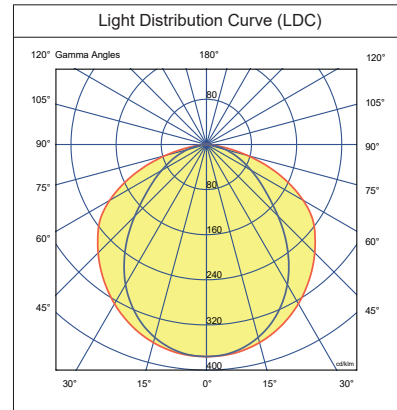
More output option available, please contact nearest sales office for more information

## Lighting Data

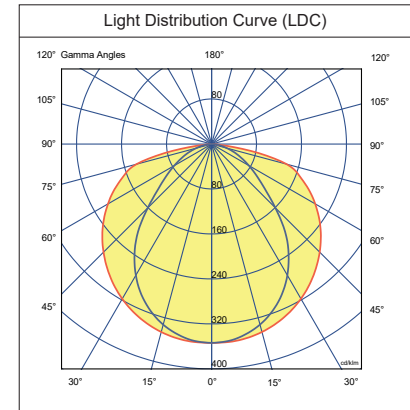
NUC215 / NUCLM215



NUC430/ NUCLM430



NUCW230 / NUCLW430



# Nussa - NUC

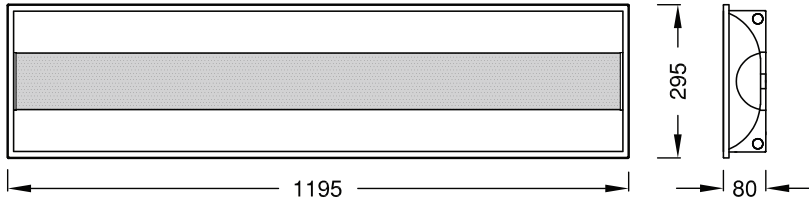
Commercial Lighting / High Performance Troffer



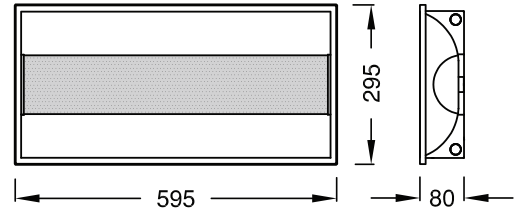
DAVISLIGHTING

## Dimensions

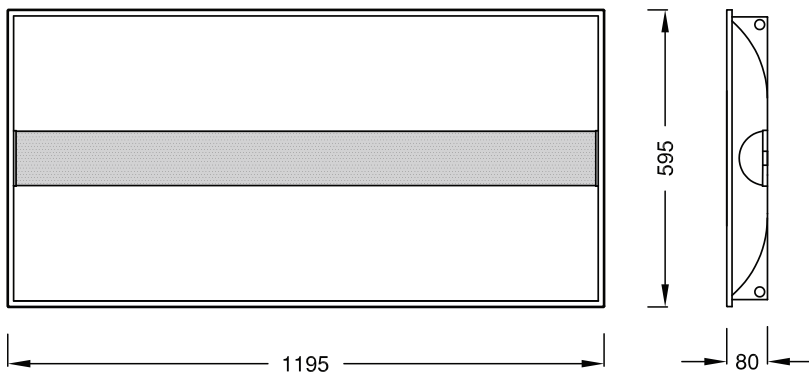
NUC4 - 1200x300 mm



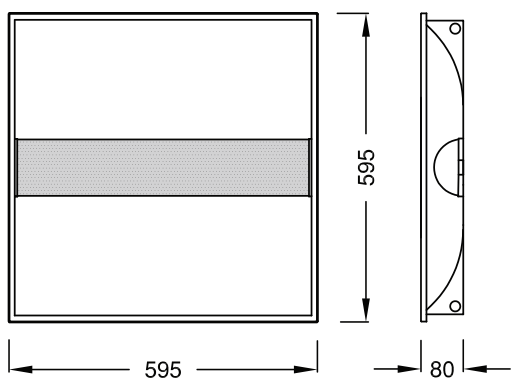
NUC2 - 600x300 mm



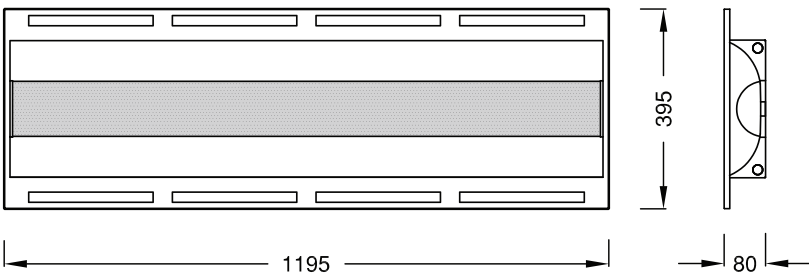
NUCW4 - 1200x600 mm



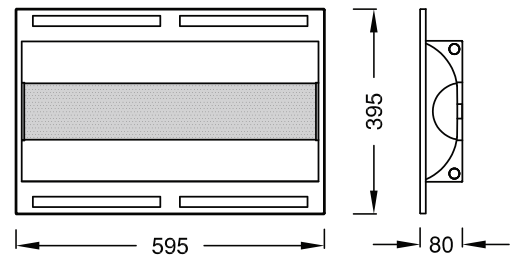
NUCW2 - 600x600 mm



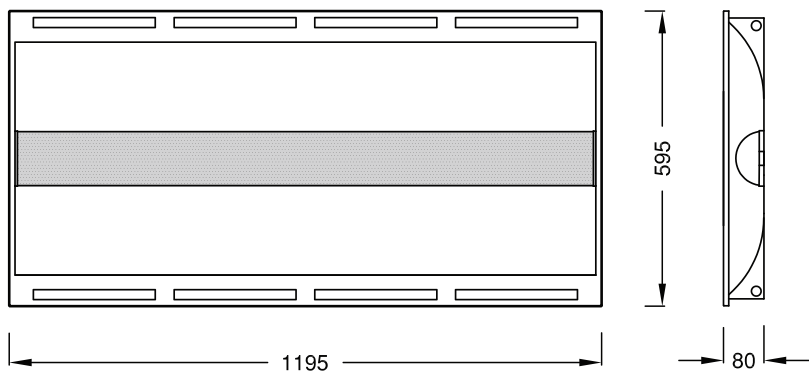
NUCM4 (Air Handling) - 1200x400 mm



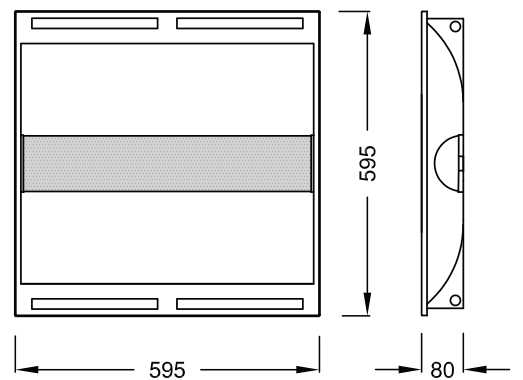
NUCM2 (Air Handling) - 600x400 mm



NUCW4 (Air Handling) - 1200x600 mm



NUCW2 (Air Handling) - 600x600 mm



davislighting.com



davislighting.com.au

All photometric and electrical data published are of  $\pm 10\%$  tolerance. Characteristics and specifications may change without notice. All electrical installations / connections should be carried out by a suitably qualified person. Application images are indicative only and may not contain actual Davis product. The information contained in this publication is typical and must not be interpreted as a guarantee of individual product performance.

NUC 220518