

Dalton - DLC CTD

Interior Lighting / Downlight

Features

- Enhanced performance
- Low-profile design
- Remote LED driver
- Switchable CCT: 3000K, 4000K, 5000K
- High performance 40,000 hrs lifetime
- Dimmable
- 1.2m supply flex & 2-pin plug
- Quick and easy installation
- IP40 below ceiling, IP20 above



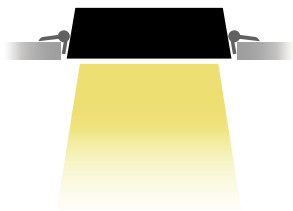
Applications

- Retail shops
- Bars, restaurants
- Galleries
- Display areas
- Bedrooms, lounge rooms

Standards

- Manufactured under ISO 9001:2015 to standards
- IEC/AS/NZS 60598.1
- IEC/AS/NZS 60598.2.1
- IEC/AS/NZS 60598.2.2
- IEC/AS/NZS CISPR 15

Mounting Methods



Recessed



Dalton - DLC CTD

Interior Lighting / Downlight



DAVIS LIGHTING

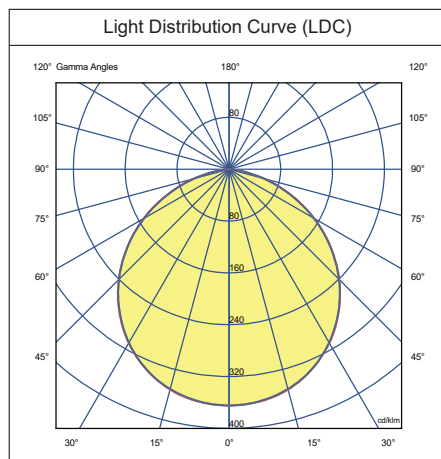
Specifications

Model	DLC409WCTD	DLC413WCTD	DLC415WCTD	DLC620WCTD	DLC828WCTD
Nominal Power (W)	9	13	15	20	28
Input Voltage	200 - 240 VAC 50 / 60 Hz				
Luminaire Flux (lm)	650	980	1450	1740	2400
Luminaire Efficacy (lm/W)	79	80	97	87	86
CRI	> 80				
Power Factor	> 0.90				
CCT Switchable (K)	3000-4000-5000				
Beam Angle (°)	90	90	90	120	120
Luminaire Rated Life (hrs)	40,000				
Ambient Temp. t_a (°C)	40				
Weight (kg)	0.28	0.28	0.52	0.67	0.93

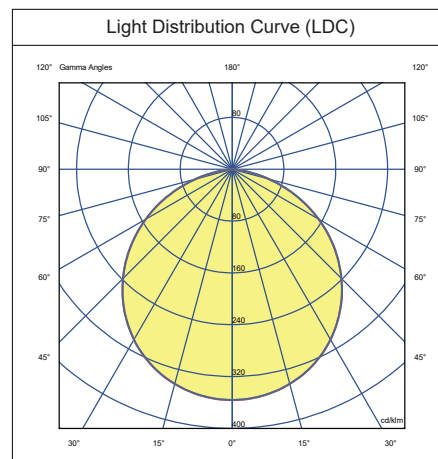
Specifications shown for 4000K

Lighting Data

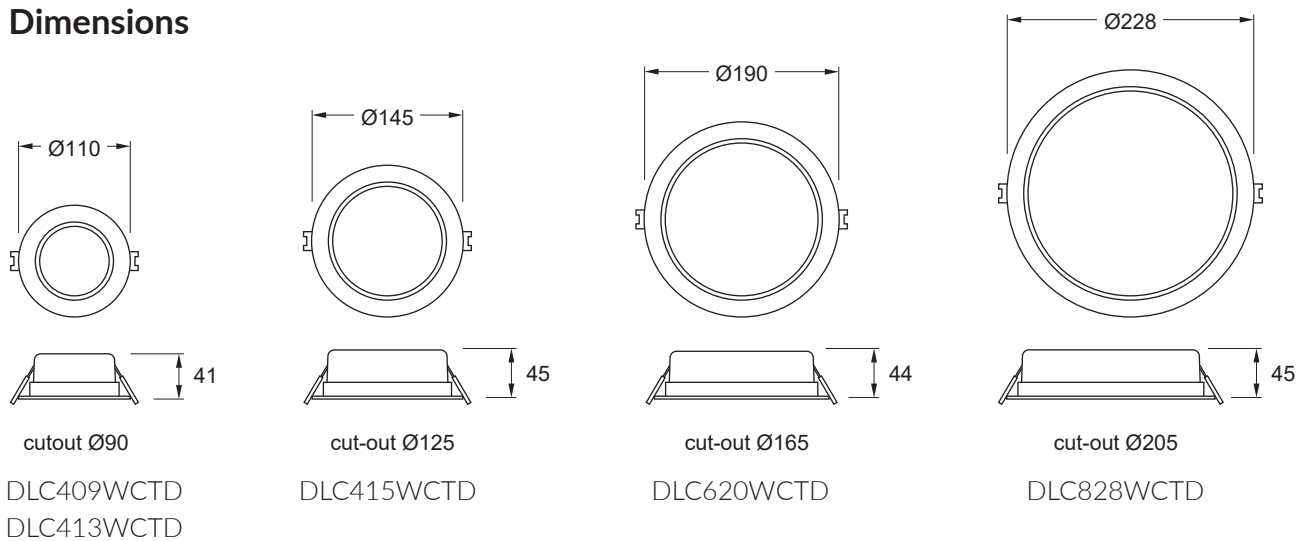
DLC620WCTD



DLC828WCTD



Dimensions



DLC409WCTD
DLC413WCTD

DLC415WCTD

DLC620WCTD

DLC828WCTD



davislighting.com



davislighting.com.au

Characteristics and specifications may change without notice. All electrical installations / connections should be carried out by a suitably qualified person. Application images are indicative only and may not contain actual Davis product. The information contained in this publication is typical and must not be interpreted as a guarantee of individual product performance.

DLC CTD 210331