

Exterior Lighting / Weatherproof

Features

- Die-cast marine grade aluminium body
- Frosted high impact polycarbonate diffuser
- Security screws
- One-piece gasket
- Dual cable entry
- L70 50,000 hrs (ta 40° C)
- Energy efficient control gear
- Non-dimming
- IP66, IK10 rating

Applications

- Prisons
- Security areas
- Subways
- Railway stations
- Undercover car parks

Options

- Ceiling mount bracket
- 45° bracket
- Single pipe-mount bracket kit
- Universal bracket
- Night Light
- Emergency
- Dali Dimmable

Standards

- Manufactured under ISO 9001:2015 to standards
- IEC/AS/NZS 60598.1
- IEC/AS/NZS 60598.2.1
- IEC/AS/NZS CISPR 15

Mounting



Surface mounted



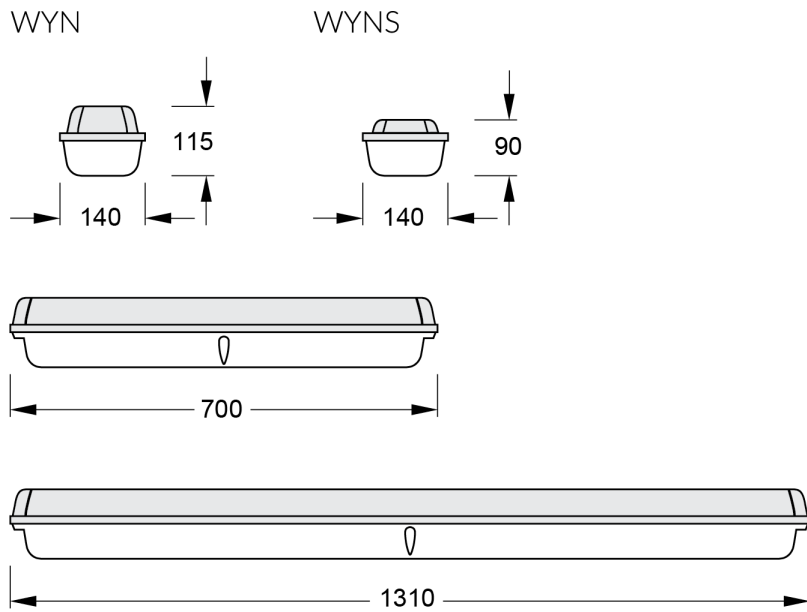
Specifications

Model	WYN220	WYN445	WYNS220	WYNS435
Nominal Power (W)	24	46	24	35
Input Voltage	90 - 240 VAC 50 / 60 Hz			
Luminaire Flux (lm)*	2426	5514	2313	4073
Luminaire Efficacy (lm/W)*	124	121	120	116
Colour Temp. (K)	3000 / 4000 / 6500			
CRI	>80			
Power Factor	>0.95			
Luminaire Rated Life (hrs)	50,000			
Operating Temp. (°C)	-25 ~ +40			
Weight (kg)	3.2	5.0	3.0	5.0

"x" denotes CRI & CCT, R83 = CRI>80, 3000K ; R84 = CRI>80, 4000K ; R87 = CRI>80, 6500K

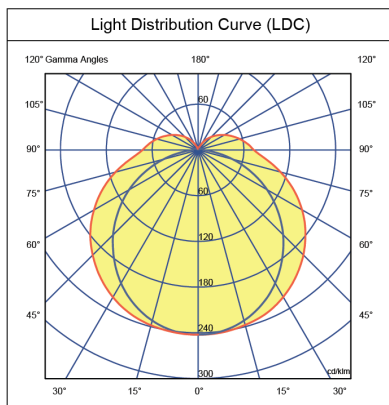
*Specifications shown for 4000K

Dimensions (mm)

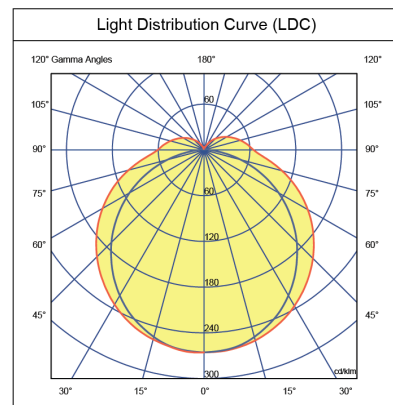


Lighting Data

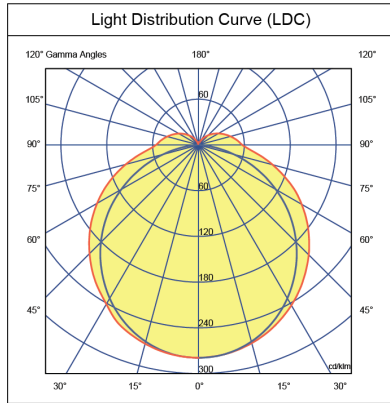
WYN220-M15R84



WYNS220-M15R84



WYNS435-M15R84



All photometric and electrical data published are of $\pm 10\%$ tolerance. Characteristics and specifications may change without notice. All electrical installations / connections should be carried out by a suitably qualified person. Application images are indicative only and may not contain actual Davis product. The information contained in this publication is typical and must not be interpreted as a guarantee of individual product performance.