

# DEBULA DLU

Commercial Lighting, Interior Lighting / Downlight

## Features

- Anti-glare UGR <19
- Available in various beam angles
- Die-cast aluminum body
- Polycarbonate optical cover
- Available in a range of wattages, colour temperatures and sizes
- Long lifetime: >50,000hrs @ L70B50
- Flicker free, instant startup
- IP44 below ceiling, IP20 above



## Applications

- Indoor general use
- Hotels
- School
- Retails
- Residential
- Corridors
- Commercial building

## Options

- Beam Angle 24°, 36° and 60°
- CCT 3000K/4000K/5000K
- Dali and Phase Dim



## Standards

- Manufactured under ISO 9001:2015 to standards
- IEC/AS/NZS 60598.1
- IEC/AS/NZS 60598.2.1
- IEC/AS/NZS CISPR 15
- IEC/AS/NZS 60598.2.2



## Mounting



Recessed



**SELV**



# DEBULA DLU



Commercial Lighting, Interior Lighting / Downlight

## Product Code Key

Model	Dimension	Power	-	CRI & Colour Temp.	Beam Angle (°)	Dimming
DLU	3 = Ø110 x 75	10 = 10W		R93 = CRI≥90, 3000K	B24 = Beam angle 24°	D03 = Triac
	4 = Ø150 x 97	13 = 13W		R94 = CRI≥90, 4000K	B36 = Beam angle 36°	D10 = DALI
	5 = Ø170 x 112	18 = 18W		R95 = CRI≥90, 5000K	B60 = Beam angle 60°	
	6 = Ø190 x 120	25 = 25W				(Omit if not required)
	8 = Ø240 x 142	30 = 30W				
		35 = 35W				
	40 = 40W					

e.g. DLU518-R94B36D10 = DLU series, Ø170 x 112, 18W CRI≥90, 4000K, Beam angle 36°, DALI

## Specifications

Model	DLU310-xyz	DLU413-xyz	DLU418-xyz	DLU525-xyz	DLU630-xyz	DLU835-xyz	DLU840-xyz
Input Voltage (V)	220-240						
Nominal Power (W)	10	13	18	25	30	35	40
Power Factor	>0.9						
Luminaire Flux (lm)	950	1150	1600	2500	2920	3220	3750
Luminaire Efficacy (lm/W)	95	88	89	100	97	92	94
CRI (Ra)	≥90						
CCT (K)	3000/4000/5000						
SDCM	<4						
Luminaire Rated Life (hr)	>50000						
Operating Temp. (°C)	-20 to 45						
IP Rating	IP20 (IP44 below ceiling)						
IK Rating	IK08						
Body Colour	Black & White						
Beam Angle (°)	24° / 36° / 60°						
Weight (kg)	0.3	0.44	0.44	0.61	0.7	0.93	0.93

"x" denotes CRI & CCT, R93 = CRI≥90, 3000K ; R94 = CRI≥90, 4000K ; R95 = CRI≥90, 5000K

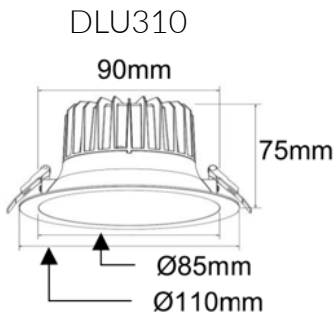
"y" denotes Beam Angle, B24 = 24° ; B36 = 36° ; B60 = 60°

"z" denotes Dimming, D03 = Triac ; D10 = DALI

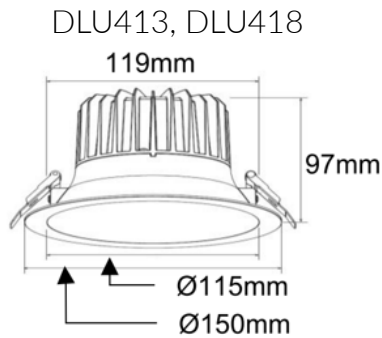
# DEBULA DLU

Commercial Lighting, Interior Lighting / Downlight

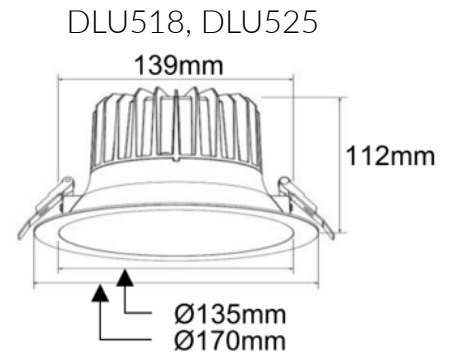
## Dimensions (mm)



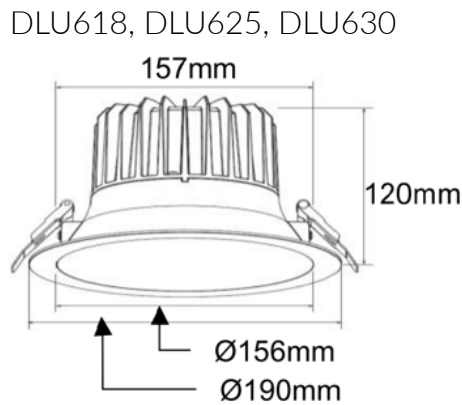
Cutout: Ø90-100mm



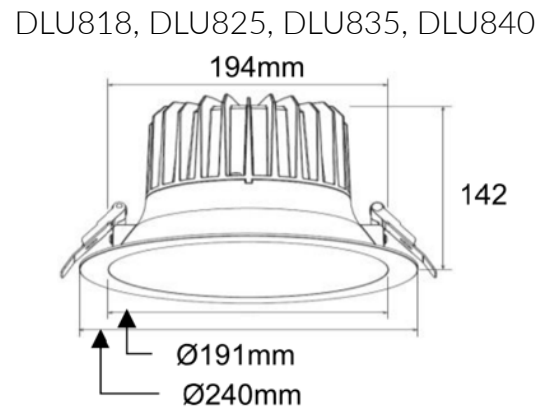
Cutout: Ø120-130mm



Cutout: Ø140-150mm



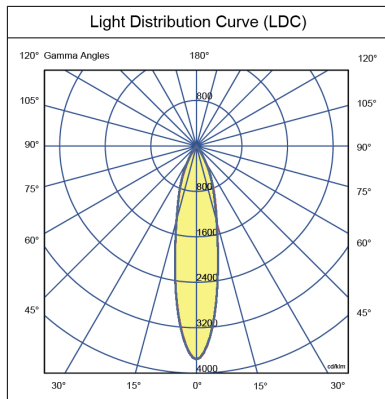
Cutout: Ø160-170mm



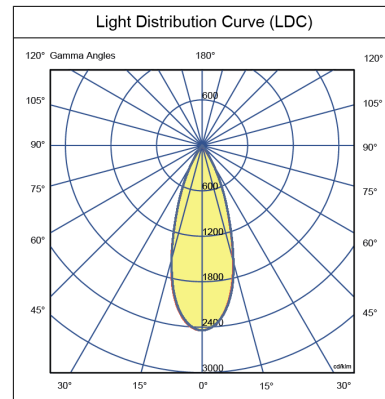
Cutout: Ø195-210mm

## Lighting Data

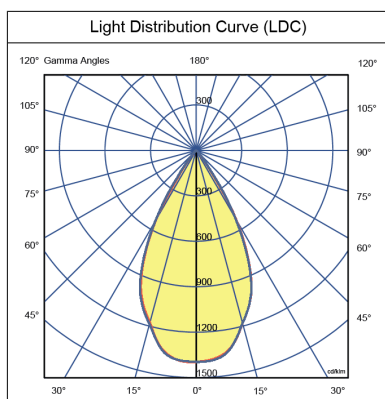
DLU-RxB24



DLU-RxB36



DLU-RxB60



All photometric and electrical data published are of  $\pm 10\%$  tolerance. Characteristics and specifications may change without notice. All electrical installations / connections should be carried out by a suitably qualified person. Application images are indicative only and may not contain actual Davis product. The information contained in this publication is typical and must not be interpreted as a guarantee of individual product performance.