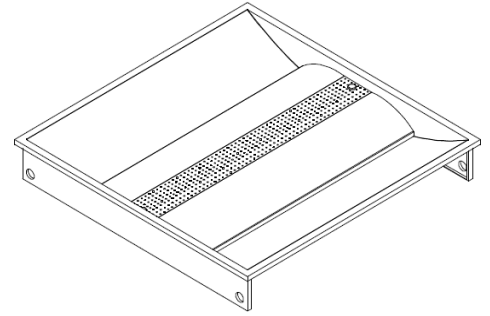




Installation Instruction



MODEL : NUR40



Read all instructions to prevent injury, electric shock or damage due to fire or mechanical hazards.

See product label for supply specifications.

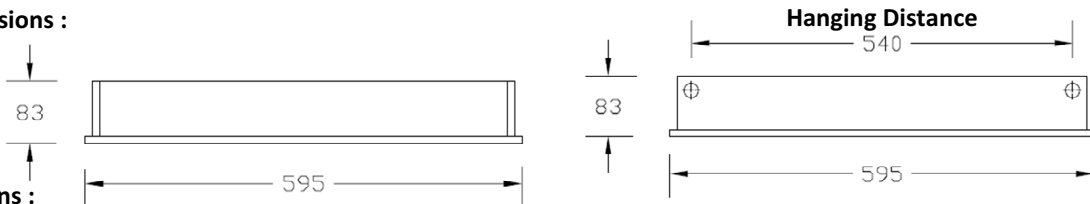
Suitable for T-Bar recessed mount only.

For plaster recessed, additional plaster frame (PFW600) is required. Contact Davis Lighting sales office for details.

STORAGE :

Prior to installation products are to be stored in cool and dry conditions.

Dimensions :



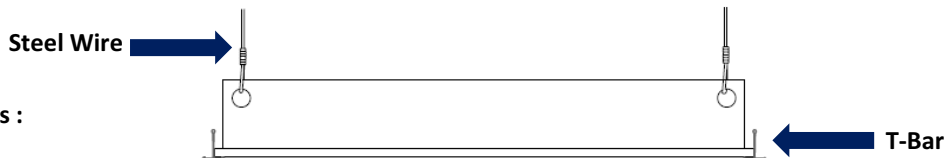
Cautions :

- Installation is to be completed by an competent licenced electrician, in accordance with these instructions and relevant local regulations.
- Electronic control equipment must not be subjected to high voltages, DO NOT MEGGER between Live and Neutral.
- All cable/conduit terminations must be installed in accordance with the designated IP rating of this product.
- Suitable installation fastening methods should be employed to ensure the mounting points are not damaged when subjected to vibration and or movement.



Installation :

- 1) Install the fitting direct lay on to the 600mm x 600mm (nom) T-Bar ceiling. For extra safety, this luminaire can be suspended from roof truss or concrete slab by using steel wires and hooked from the 4 hanging holes provided.



Mains Connections :

Method 1 :

If the luminaire is supplied with flex and plug, just connect it to the supply socket.



Method 2 :

If the luminaire is not supplied with flex and plug, dismantle the gear cover by loosen both screws located on the gear cover. Bring in the mains supply cables and connect them to the terminal block located in the gear compartment.

WARNING : This product must be earthed.

