

Wypplash - WPB

Exterior Lighting / Weatherproof



DAVIS LIGHTING

Features

- 4 adjustable power settings
- Switchable colour temperature
- Energy efficient IP65 and IK08 rated weatherproof fitting
- Polycarbonate body and opalised diffuser
- Stainless steel clips
- Stainless steel mounting brackets
- Emergency & Microwave sensor options available
- Suitable for surface & suspension mounting



Applications

- Corridors / walk ways
- Factories
- Warehouses
- Car parks
- Security areas

Options

- Emergency (1200mm length only)
- Microwave sensor

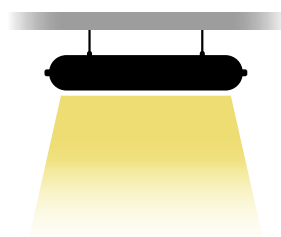
Standards

- Manufactured under ISO 9001:2015 to standards
- IEC/AS/NZS 60598.1
- IEC/AS/NZS 60598.2.1
- IEC/AS/NZS CISPR 15

Mounting Methods



Surface mounted



Suspension

Product Code Key

| Model | Power (min-max) | Switchable CCT & Power | - | Emergency | Sensor | Emergency & Sensor |
|-------|--------------------------------|--|---|---|--|---|
| WPB | 1020= 10W-20W 2040= 20W-40W | CTP CCT: 3000K+4000K+6500K Power: 10W-14W-17W-20W / 20W-28W-34W-40W | | E1 = Maintained with 3hours Emergency + LiFePO4 + test switch | S26 = Microwave sensor (Motion, Daylight, ON/OFF) | E126 = Maintained + Microwave sensor (Motion, Daylight, ON/OFF) |

e.g. WPB2040CTP-E126 = WPB series, switchable 20W-40W, 3000K-4000K-6500K, Maintained emergency with motion, daylight, ON/OFF sensor

Specifications

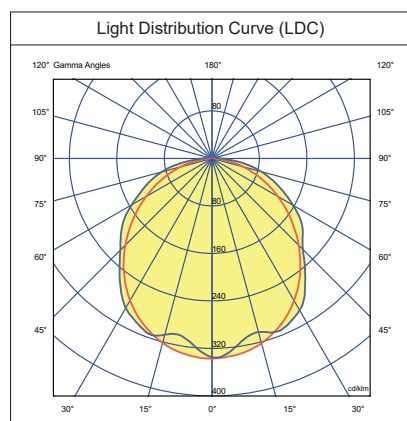
| Model | WPB1020CTP-x | | | | WPB2040CTP-x | | | |
|-------------------------|--------------------------|------|------|------|--|------|------|------|
| Length (mm) | 600 | | | | 1200 | | | |
| Input Voltage | 220 - 240 VAC 50 / 60 Hz | | | | | | | |
| Power Switchable (W) | 10 | 14 | 17 | 20 | 20 | 28 | 34 | 40 |
| Luminous Flux (lm)* | 1300 | 1800 | 2100 | 2400 | 2600 | 3600 | 4200 | 4900 |
| Efficacy (lm/W)* | 130 | 128 | 124 | 120 | 130 | 128 | 124 | 123 |
| CCT Switchable (K) | 3000 + 4000 + 6500 | | | | | | | |
| CRI | >80 | | | | | | | |
| Power Factor | >0.90 | | | | | | | |
| SDCM | <6 | | | | | | | |
| Rated Life L70B50 (hrs) | 50,000 | | | | | | | |
| Operating Temp. (°C) | -20 ~ +40 | | | | | | | |
| Weight (kg) | 0.90 | | | | 1.60 | | | |
| Available Options (x)** | Sensor -S26 | | | | Emergency -E1 Sensor -S26 Emergency & Sensor -E126 | | | |

*Specifications shown for 4000K

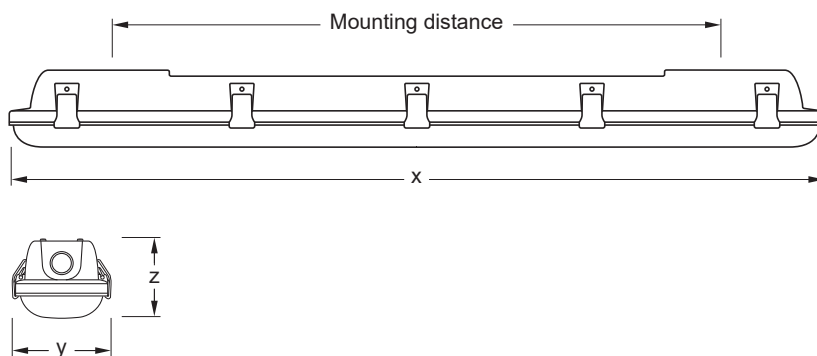
**Omit code for standard model

Lighting Data

WPB2040CTP (4000K)



Dimensions



| Model | x (mm) | y (mm) | z (mm) | Mounting distance (mm) |
|--------------|--------|--------|--------|------------------------|
| WPB1020CTP-x | 600 | 96 | 83 | 340 ±30mm |
| WPB2040CTP-x | 1200 | 96 | 83 | 840 ±30mm |

