

Botha

Exterior Lighting / Bulkhead



DAVIS LIGHTING

Features

- Die-cast aluminium base
- Fire-retardant UV stabilised PC diffuser
- Philips LUXEON LED light source
- PC lanyard to retain LED board
- High performance 50,000 hr LEDs
- Mounting kit supplied

Applications

- Covered car park
- Veranda
- Walkways & entrance areas
- Schools
- Offices

Options

- Sensor
- Emergency

Standards

- Manufactured under ISO 9001:2015 to standards
- IEC/AS/NZS 60598.1
- IEC/AS/NZS 60598.2.1
- IEC/AS/NZS CISPR 15

Mounting Methods



Surface mounted



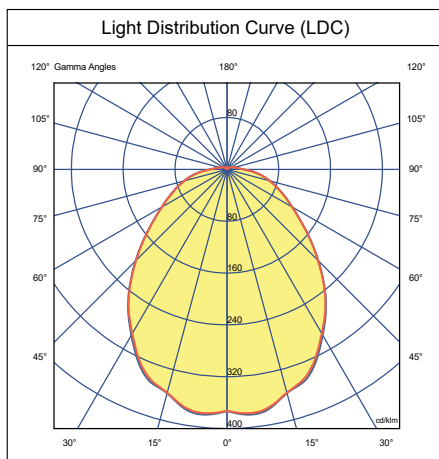
Specifications

Model	BHR25WxK	BHS25WxK
Nominal Power (W)	25	25
Input Voltage	220 - 240 VAC 50 / 60 Hz	
Luminaire Flux (lm)	2949	3133
Luminaire Efficacy (lm/W)	131	135
CRI	≥ 80	
Power Factor	> 0.90	
SDCM	≤ 5	
Colour Temp. (K)	3000 / 4000 / 6500	
Luminaire Rated Life (hrs)	> 50,000	
Ambient Temp. t_a (°C)	35	
Weight (kg)	2.0	2.3

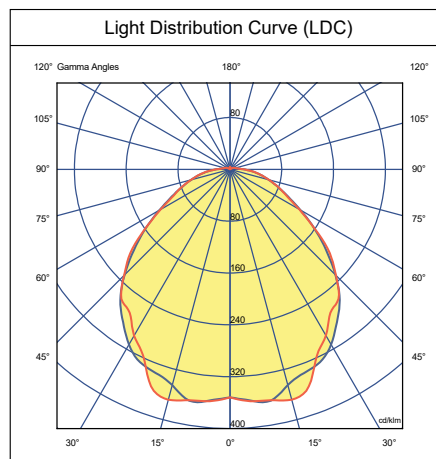
"x" denotes CCT, 3 = 3000K ; 4 = 4000K ; 6 = 6500K
 Specifications shown for 4000K

Lighting Data

BHR25W4K

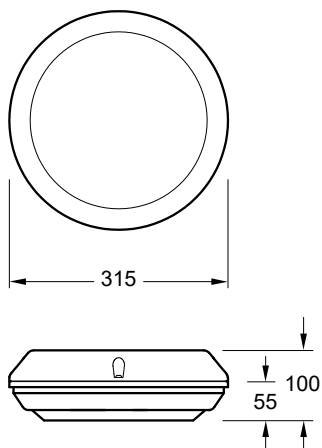


BHS25W4K

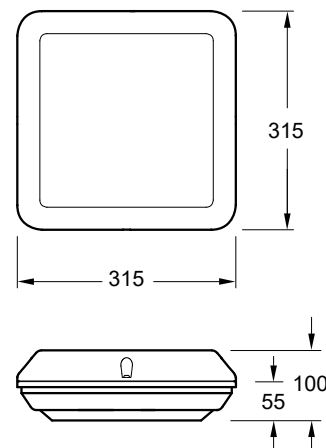


Dimensions

BHR



BHS



Model Number

Model	Description
BHR25W4K	Standard
BHR25W4KEM	Emergency
BHR25W4K-S25	Motion sensor
BHR25W4KEM-S25	Emergency + motion sensor

Model	Description
BHS25W4K	Standard
BHS25W4KEM	Emergency
BHS25W4K-S25	Motion sensor
BHS25W4KEM-S25	Emergency + motion sensor



davislighting.com



davislighting.com.au

Characteristics and specifications may change without notice. All electrical installations / connections should be carried out by a suitably qualified person. Application images are indicative only and may not contain actual Davis product. The information contained in this publication is typical and must not be interpreted as a guarantee of individual product performance.

BH 210622