

Surface Box

Accessories / Surface Mounted Box



DAVIS LIGHTING

Features

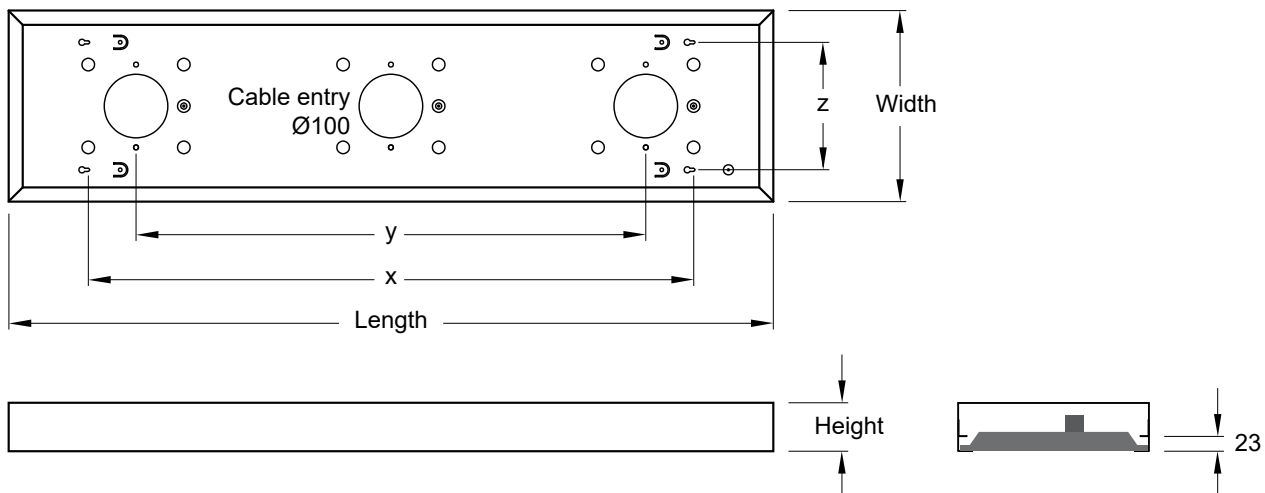
- For converting recessed luminaires to surface mounted
- Accepts a wide range of different models where size can be customised
- Quick and easy to install
- Screwless end cap

Applications

- Retail premises
- Commercial interiors
- Corridors, passageway
- Transit areas



Dimensions



Model	Length (mm)	x (mm)	y (mm)	Width (mm)	z (mm)	Height (mm)
SK600	600	350	400	300	200	76
SK1200	1200	950	800	300	200	76
SKW600	600	350	400	600	400	76
SKW1200	1200	950	800	600	400	76

Surface Box

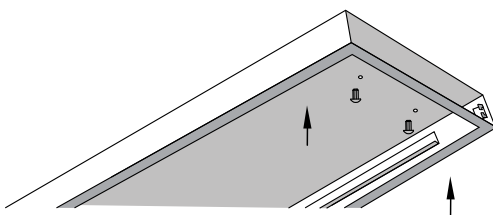
Accessories / Surface Mounted Box



DAVIS LIGHTING

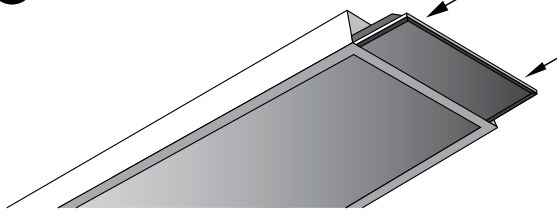
Installation

1



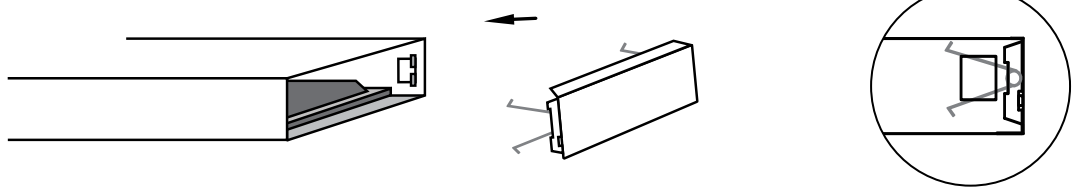
Install surface box directly to the ceiling and tighten screw through the mounting hole provided on the surface box.

2



On the open end of the surface box, simply slide in the luminaire.

3



Replace end cap by hooking the spring clips to the casing bracket.

Screwless end cap



davislighting.com



davislighting.com.au

All photometric and electrical data published are of $\pm 10\%$ tolerance. Characteristics and specifications may change without notice. All electrical installations / connections should be carried out by a suitably qualified person. Application images are indicative only and may not contain actual Davis product. The information contained in this publication is typical and must not be interpreted as a guarantee of individual product performance.

SK 210929