

Plaster Frame

Accessories / Recessed Frame

Features

For converting surface mount and recessed T/Bar luminaires to recessed plaster luminaires
Flexibility in converting T-bar or universal fittings to plaster mounting
Provides a convenient point for ceiling access
Accepts a wide range of different models
Quick and easy to install

Applications

Any plaster or solid board installation:

- Retail premises
- Commercial interiors
- Corridors, passageway
- Transit areas

Catalogue Numbers

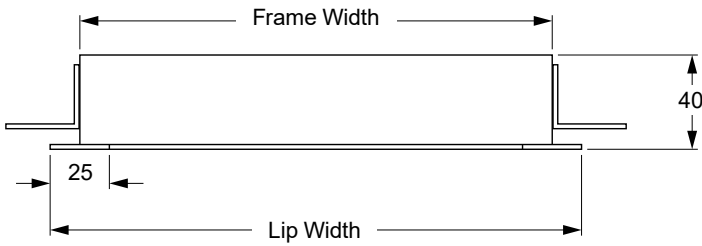
PFN600
PFN1200
PF600
PF1200
PFM600
PFM1200
PFW600
PFW1200
PFBJ (For Bianca Junior only)



Plaster Frame

Accessories / Recessed Frame

Dimensions

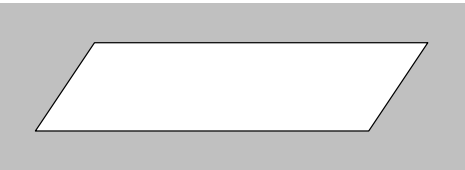


Model	Frame Length (mm)	Frame Width (mm)	Lip Length (mm)	Lip Width (mm)	Cutout Length (mm)	Cutout Width (mm)
PFN600	600	200	625	225	605	205
PFN1200	1200	200	1225	225	1205	205
PF600	600	300	625	325	605	305
PF1200	1200	300	1225	325	1205	305
PFM600	600	400	625	425	605	405
PFM1200	1200	400	1225	425	1205	405
PFW600	600	600	625	625	605	605
PFW1200	1200	600	1225	625	1205	605
PFBJ	427	427	452	452	432	432

Installation

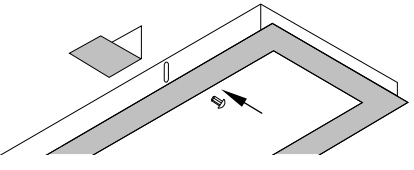
Important: If the plaster ceiling is sufficiently strong to support the weight of the luminaire In the area of installation, no timber battening is required. Simply fix the frame directly to the ceiling material using the brackets provided. If the ceiling has insufficient support, additional timber battening will be required. It is the responsibility of the installer to determine the most efficient and risk-free method of installation.

1



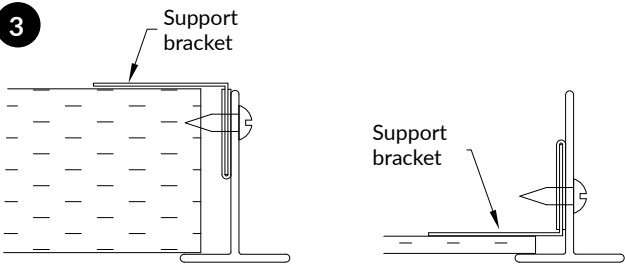
Cut out ceiling.
* Sizing as in dimension table.

2



Loosely fit two brackets on one side of frame and insert frame in ceiling cut out. Fit remaining two brackets and tighten. Direction of bracket when fitted to frame is dependant on ceiling thickness. Refer No. 3 below.

3



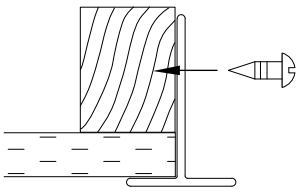
Support bracket

Ceiling thickness: 22 - 39 mm

Support bracket

Ceiling thickness: 4 - 21 mm

4



If timber battening is being used, ensure the timber abuts the frame as shown above.



Characteristics and specifications may change without notice. All electrical installations / connections should be carried out by a suitably qualified person. Application images are indicative only and may not contain actual Davis product. The information contained in this publication is typical and must not be interpreted as a guarantee of individual product performance.