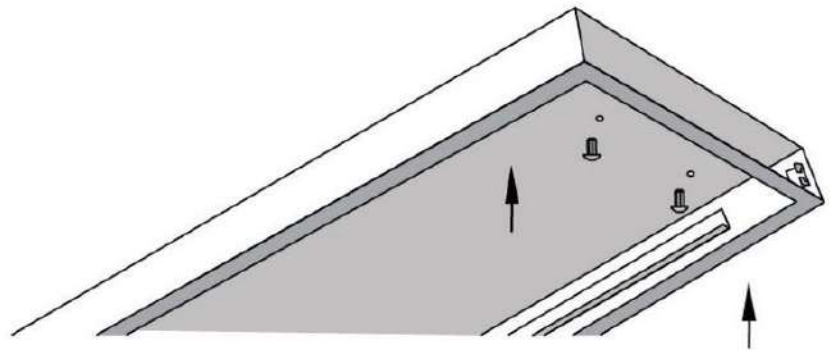
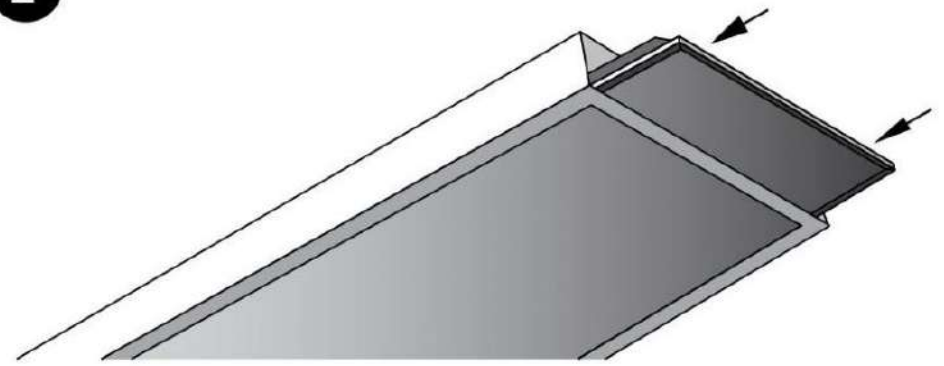


1



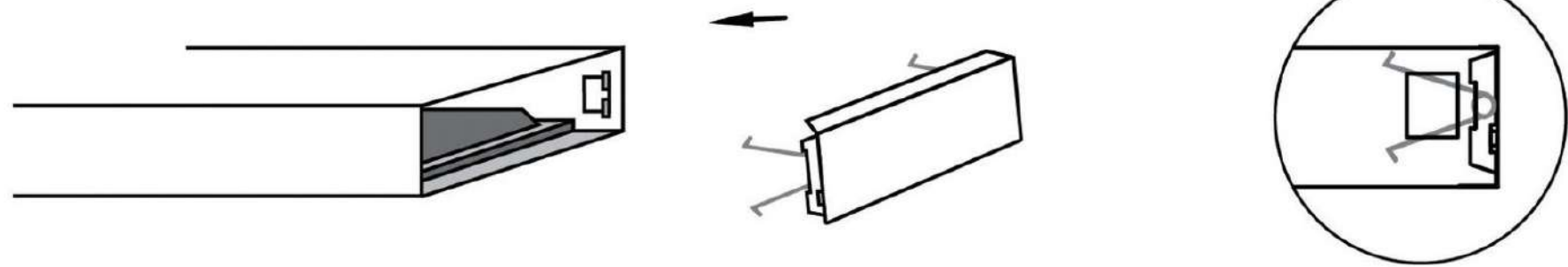
Install surface box directly to the ceiling and tighten screw through the mounting hole provided on the surface box.

2



On the open end of the surface box, simply slide in the luminaire.

3



Replace end cap by hooking the spring clips to the casing bracket.

Screwless end cap