

This installation guide is valid for the following models:

- Lyra – LYR CTP



LYR CTP

## PRIOR TO INSTALLATION



- Read all instructions to prevent injury, electric shock or damage due to fire or mechanical hazards
- See product label for supply specifications
- Suitable for recessed or suspension mounting



Inspect the luminaire and associated parts for any signs of defect, in particular fasteners, cables and the diffuser or glass lens

**DO NOT INSTALL THE LUMINAIRE IF IT APPEARS IN ANY WAY FAULTY**

Consult with the supplier / sales office for details regarding replacement



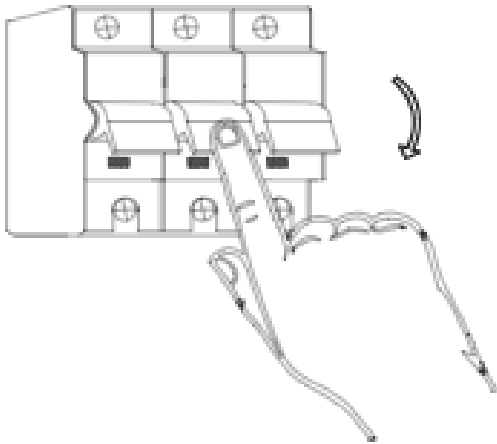
## CAUTION



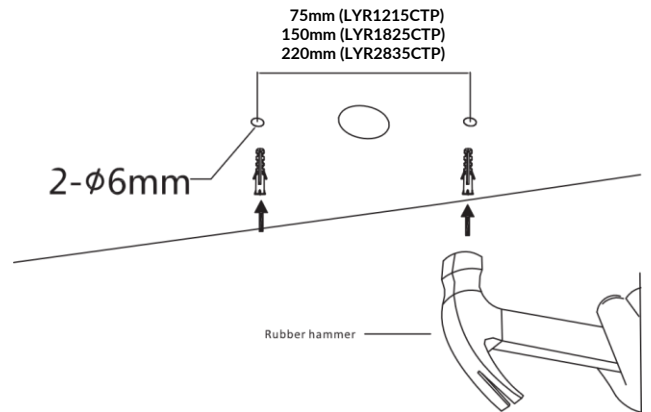
- Before commencing installation, turn off and isolate the electrical supply.
- Electronic control equipment must not be subjected to high voltages. **DO NOT MEGGER** between Live and Neutral.
- All cable / conduit terminations must be installed in accordance with the designated IP rating of this product.
- Suitable installation fastening methods should be employed to ensure the mounting points are not damaged when subjected to vibration and / or movement.
- This luminaire must be installed by qualified electrician in accordance with local rules and codes.
- This luminaire cannot be disassembled by non-professional persons.
- Prior to installation, products are to be stored in cool dry conditions.
- The light source of this luminaire is not replaceable; when the light source reaches its end of life the whole luminaire shall be replaced.

# INSTALLATION

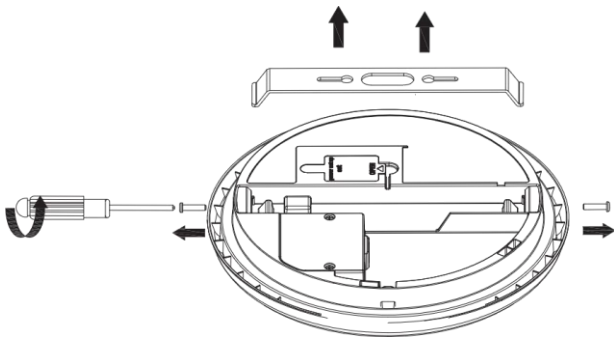
7. Turn off the main supply.



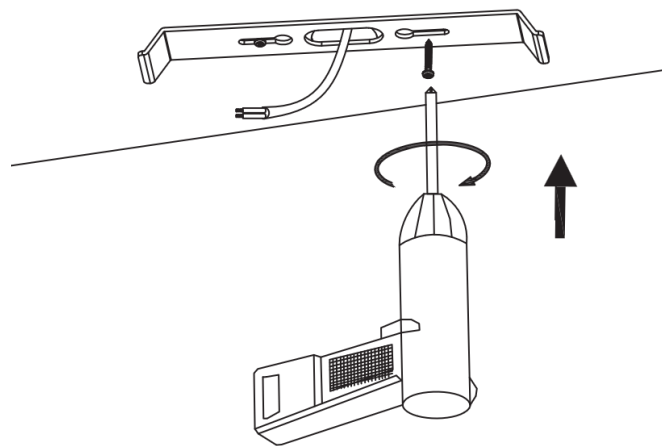
8. Drill 2 holes and install the wall plugs.



8. Loosen screws on both sides and remove the mounting brackets.



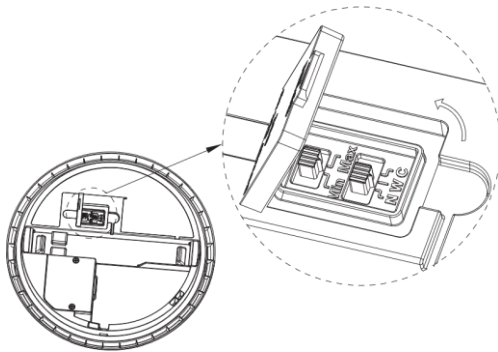
9. Tighten the mounting bracket with screws on the ceiling.



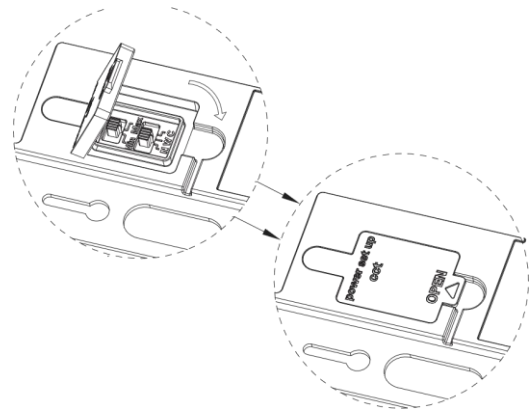
11. Open the silicone cap, then select the desired colour temperature and power.

W: 3000K, N: 4000K, C: 5000K

Min: Minimum power, Max: Maximum power.



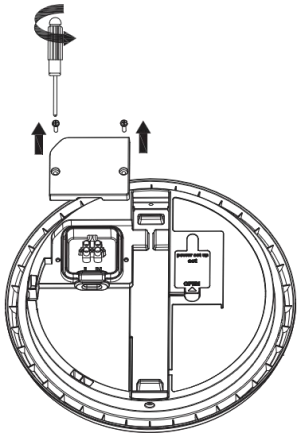
10. Close back the silicone cap firmly.



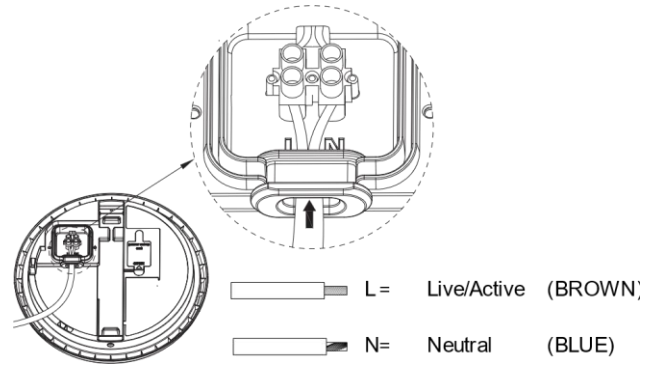
Unauthorised modification & improper installation void product warranty.

# INSTALLATION

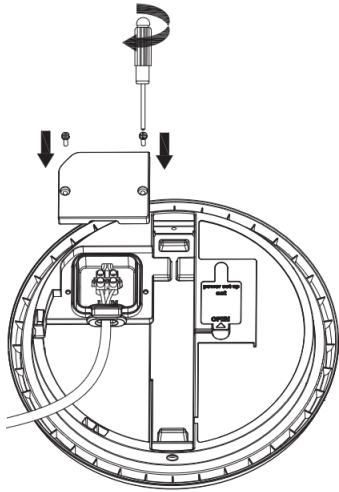
7. Loosen the screws of the junction box and remove the cover.



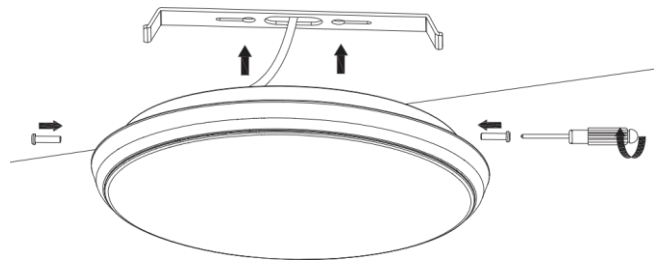
8. Connect the cables (L/N terminals) through the silicon ring accordingly.



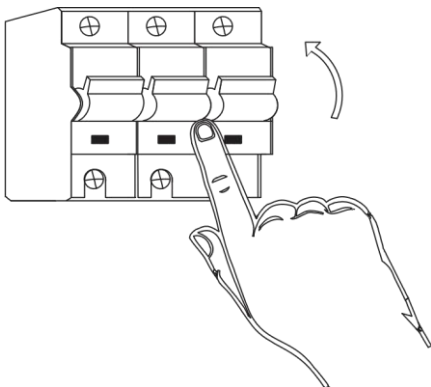
9. Close and tighten back the cover.



10. Attach the mounting bracket back to the luminaire, then tighten back the screws on both sides.

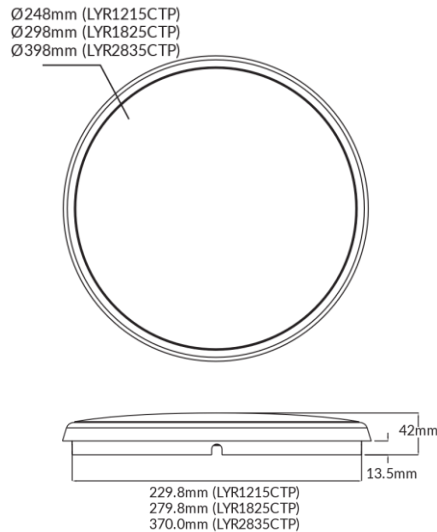


11. Turn on the main supply.



Unauthorised modification & improper installation void product warranty.

## DIMENSIONS

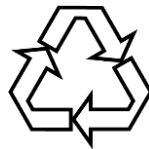


## MAINTENANCE

The supply must be isolated before opening or accessing the luminaire. Product maintenance is critical to the products designed performance. Davis Lighting is not responsible for any product not maintained in accordance with the recommended procedure or intervals. It is recommended that a bi-annual cleaning cycle is implemented. Inspect optical surfaces for damage or crack. Products supplied with visors or covers must not be operated with a damaged visor or cover; it is recommended damaged visors or covers to be replaced by a competent person immediately. Seals and electrical components such as wirings to be checked for deterioration.



All photometric and electrical data published are of  $\pm 10\%$  tolerance. Characteristics and specifications may change without notice. All electrical installations / connections should be carried out by a suitably qualified person. Application images are indicative only and may not contain actual Davis product. The information contained in this publication is typical and must not be interpreted as a guarantee of individual product performance.



This product may contain substances that can be hazardous to the environment if not disposed of correctly. Electrical and electronic equipment should never be discarded along with general waste but should be separated for correct treatment and recovery. Packaging and waste materials should be recycled wherever possible.

## CONTACT

**Australia Head Office & Sales**  
Davex Australia Pty Ltd  
Head Office: +61 (7) 3712 8988  
Sales Offices: 1300 851 001  
Fax: +61 (7) 3272 8988  
Email: australia@davislighting.com

**Malaysia Head Office & Sales**  
Davex Malaysia Sdn Bhd (114942-X)  
Phone: +60 (3) 5636 4348  
Fax: +60 (3) 5636 4352  
Email: malaysia@davislighting.com

**Singapore Head Office & Sales**  
Davex Singapore Pte Ltd  
Phone: +65 6745 2511  
Fax: +65 6745 5828  
Email: singapore@davislighting.com