

# BOLA BAB

Landscape / Bollard



DAVIS LIGHTING

## Features

Round body flat top, modern and contemporary design  
Superior uniform illumination designed to enhance urban spaces with beautiful visual appearance  
Available in 500mm or 900mm height  
IK10 impact-resistant, IP66 waterproof rated  
Type V or Type IV distribution  
Includes anchor bolt mounting kit  
Backlight control visor available

## Applications

Architectural and landscape lighting  
Path and walkways  
Building entrances  
Residential area  
Public square

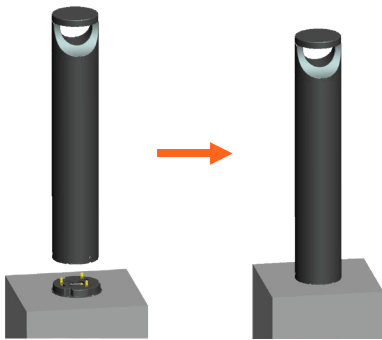
## Options

0-10V / DALI dimming

## Standards

Manufactured under ISO 9001:2015 to standards  
IEC/AS/NZS 60598.1  
IEC/AS/NZS 60598.2.1  
IEC/AS/NZS CISPR 15

## Mounting



Mounting kit with anchor bolts





## Product Code Key

Model	Power	Height	-	CRI & Colour Temp.	Dimming	Distribution Pattern
BAB	15 = 14W	50 = 500mm		R83 = CRI>80, 3000K	D07 = 0-10V	Z01 = Type V (150°x 104°, Tilt 65°)
	15 = 14W	90 = 900mm		R84 = CRI>80, 4000K	D10 = DALI	Z02 = Type IV
						Z03 = Type V (150°x 53°, Tilt 60°)
						omit for standard non dimmable

e.g. BAB2590-R84Z01 = Bola BAB series, 24W, 900mm, CRI >80, 4000K, Type V (150°x 104°, Tilt 65°)

## Specifications

Model	BAB1550-xyz	BAB1590-xyz	BAB2550-xyz	BAB2590-xyz
Height (mm)	500	900	500	900
Nominal Power (W)	14	14	24	24
Input Voltage	100 - 240 VAC 50 / 60 Hz (Depends on driver)			
Luminaire Flux (lm)*	1190	1190	1920	1920
Luminaire Efficacy (lm/W)*	85	85	85	85
CRI	> 80			
Power Factor	> 0.90			
Colour Temp. (K)	3000 / 4000			
Distribution Pattern	Type V (150°x 104°, Tilt 65°) / Type IV / Type V (150°x 53°, Tilt 60°)			
Surge Protection	2kV line-line, 4kV line-earth (Depends on driver)			
Luminaire Rated Life (hrs)	50,000			
Operating Temp. (°C)	-30 to +50			
Weight (kg)	4.5 ± 0.3	6.2 ± 0.3	4.5 ± 0.3	6.2 ± 0.3

"x" denotes CRI & CCT, R83 = CRI>80, 3000K ; R84 = CRI>80, 4000K

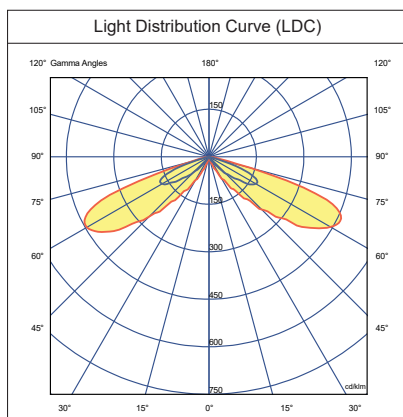
"y" denotes Dimming, D07 = 0-10V ; D10 = DALI (omit code for standard non dimmable)

"z" denotes Distribution Pattern, Z01 = Type V (150°x 104°, Tilt 65°) ; Z02 = Type IV ; Z03 = Type V (150°x 53°, Tilt 60°)

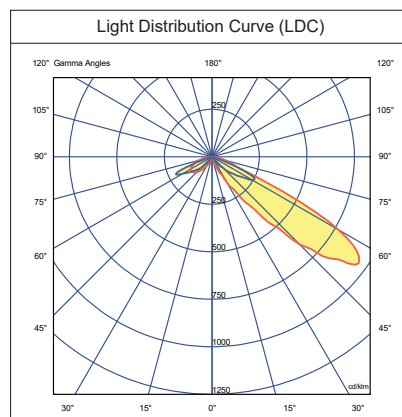
\*Specifications shown for 4000K, Z01 = Type V (150°x 104°, Tilt 65°)

## Lighting Data

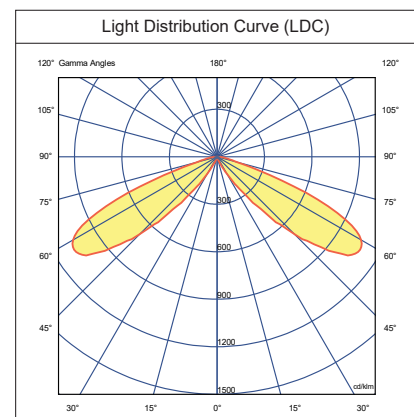
BAB1590-R84Z01 (Type V 150° x 140°)



BAB1590-R84Z02 (Type IV)



BAB1590-R84Z03 (Type V 140° x 53°)



# BOLA BAB

Landscape / Bollard

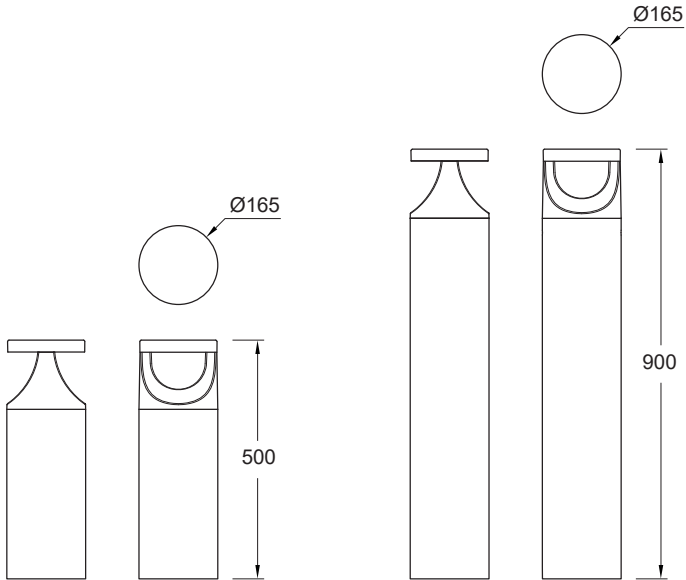


DAVISLIGHTING

## Dimensions

BAB1550 / BAB2550

BAB1590 / BAB2590



## Accessories



### Backlight control visor

To reduce backlight and avoid light trespass

Part Number:

- BABV5090



### Junction box

Option for wiring

Part Number:

- BABJ5090



davislighting.com



davislighting.com.au

All photometric and electrical data published are of  $\pm 10\%$  tolerance. Characteristics and specifications may change without notice. All electrical installations / connections should be carried out by a suitably qualified person. Application images are indicative only and may not contain actual Davis product. The information contained in this publication is typical and must not be interpreted as a guarantee of individual product performance.

BAB 211015