

DAVISEVO

Electric vehicle charger/ Davis EV AC Charger



DAVISLIGHTING

Features

- Compact and User-Friendly Design
- Intelligent Connectivity Interface with APP
- Designed for User Convenience
- Swift Charging Capability up to 22kW
- Effortless Installation and Use
- Durable and Dependable
- IP54 Housing Support Sheltered Outdoor Use

Applications

- Suitable for indoor & sheltered outdoor use
- Commercial building
- Residential
- Retail

Standards

- Manufactured under ISO 9001:2015 standards
- TR25:2022
- IEC 61851-1 (Electrical & Safety Test)
- IEC 61851-21-2 (EMC)
- IEC 62196
- EN 50620

Mounting Methods

- Wall-mounting
- *Pole Mounting Option Available



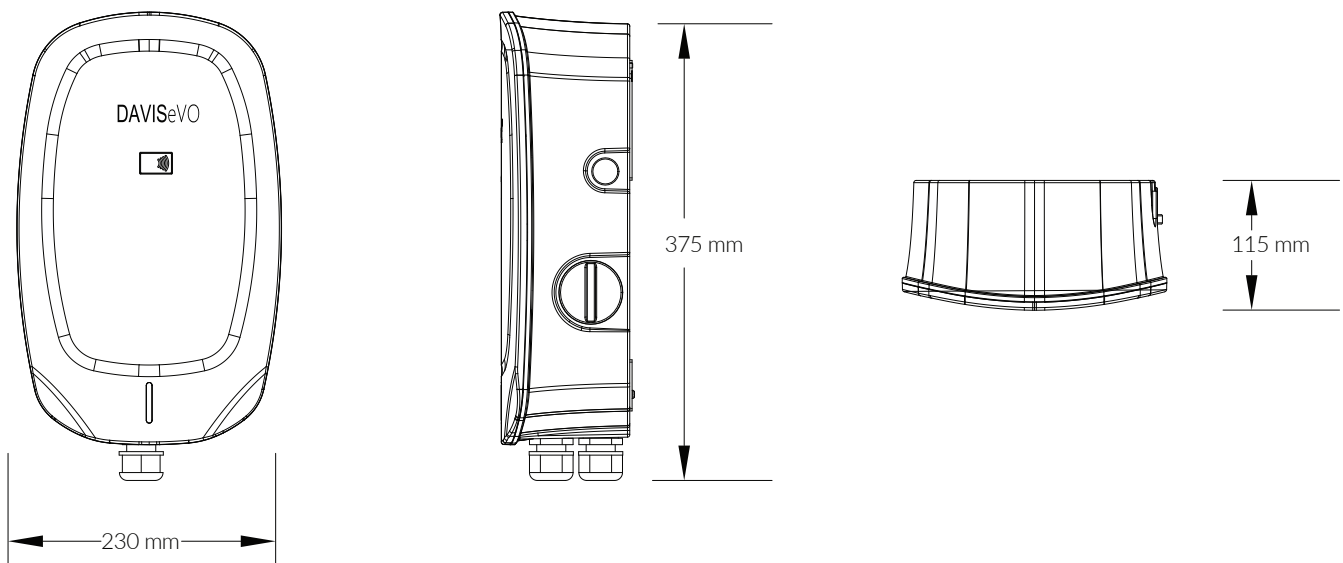
Davis EV Charger





DAVISEVO EV AC Charger			
Model No	DVC10-A7KGP1E5M	DVC10-A11KGP1E5M	DVC10-A22KGP1E5M
Input voltage & frequency	Single Phase, AC 230V ± 10%, 50/60 Hz	Three Phase, AC 400V ± 10%, 50/60Hz	Three Phase, AC 400V ± 10%, 50/60Hz
Output voltage	Single Phase, AC 230V ± 10%	Three Phase, AC 400V ± 10%	Three Phase, AC 400V ± 10%
Max output power (kW)	7	11	22
Max output current	≤ 32A	≤ 16A	≤ 32A
Charging interface type	EN/IEC 62196-2016 AC Type 2		
Connection type	Type 2 Plug, 5M charging cable & plug (other length available upon request)		
Power factor	≥ 0.99		
Efficiency	≥ 99.5%		
Standby power consumption	≤ 5W		
Ingress Protection	IP54		
Operation temperature	-30°C ~ 55°C		
Relative humidity	≤ 95% non-condensation		
Maximum altitude	≤ 2000M		
Protection	Over voltage, under voltage, over load, short circuit, earth leakage, over-temperature and lightning protection		
Communication/LED indicator	WIFI / OCPP 1.6		
Human-computer Interaction	Davis EV Charger APP		
RCD	Type A		
Supported payment	RFID/ internet		
Emergency stop button	Yes		
Intelligent power adjustment	Adaptive load management ready		
Dimension (W*H*D)	230 * 375 * 115mm (wall mounting)		
Net weight (kg)	3.80	4.80	5.30

Dimensions



Disclaimer: Characteristics and specifications may change without notice. All electrical installations / connections should be carried out by a suitably qualified person. Application images are indicative only and may not contain actual Davis product. The information contained in this publication is typical and must not be interpreted as a guarantee of individual product performance.