



UTOFIA-UF2S, UF2S & UF2S CTP

High Bay

230222

Installation
Instructions

This installation guide is valid for the following models:

- Utofia – UFP
- Utofia – UF2S
- Utofia – UF2S CTP



PRIOR TO INSTALLATION



- Read all instructions to prevent injury, electric shock or damage due to fire or mechanical hazards
- See product label for supply specifications



Inspect the luminaire and associated parts for any signs of defect, in particular fasteners, cables and the diffuser or glass lens

DO NOT INSTALL THE LUMINAIRE IF IT APPEARS IN ANY WAY FAULTY

Consult with the supplier / sales office for details regarding replacement



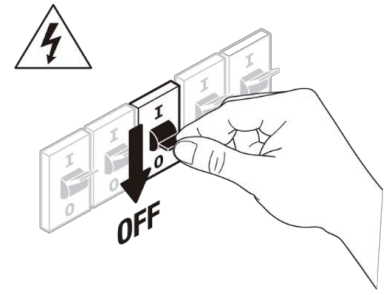
CAUTION



- Before commencing installation, turn off and isolate the electrical supply
- Electronic control equipment must not be subjected to high voltages. DO NOT MEGGER between Live and Neutral
- All cable / conduit terminations must be installed in accordance with the designated IP rating of this product
- Suitable installation fastening methods should be employed to ensure the mounting points are not damaged when subjected to vibration and / or movement
- This luminaire must be installed by qualified electrician in accordance with local rules and codes
- This luminaire cannot be disassembled by non-professional persons
- The light source contained in this luminaire shall only be replaced by the manufacturer or his service agent or a similar qualified person.
- If the external flexible cable or cord of this luminaire is damaged, it shall be exclusively replaced by the manufacturer or his service agent or a similar qualified person in order to avoid a hazard.
- Prior to installation, products are to be stored in cool dry conditions
- Terminal block used must comply to IEC60998-2-1 or IEC60998-2-2, Screw type, 3 poles, 450V, T110, 6mm²

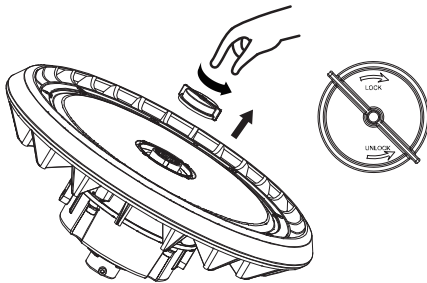
INSTALLATION

1. Turn OFF the main supply

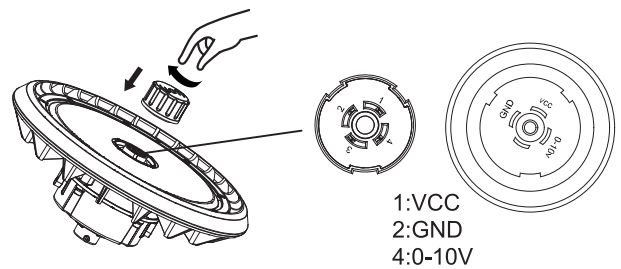


DC Motion Sensor installation

2. Open the receptacle's lid as shown.

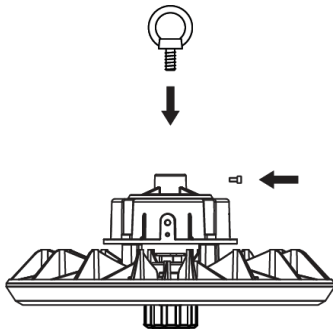


3. Connect the sensor to luminaire with the direction shown below.

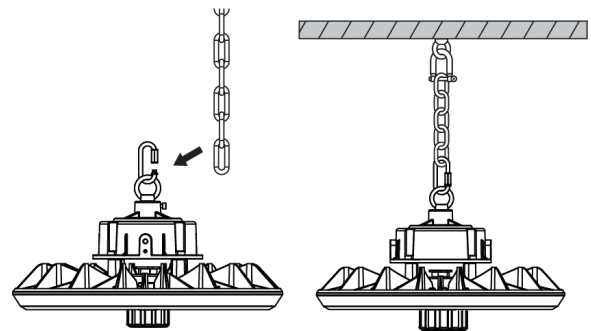


Pendant mount

4a.1. Install the eyebolt onto the luminaire.

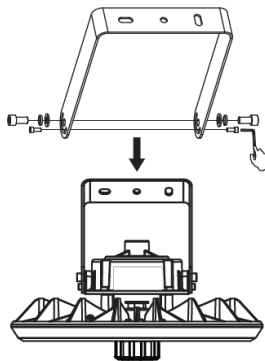


4a.2. Hang the luminaire on the hook and safety chain.

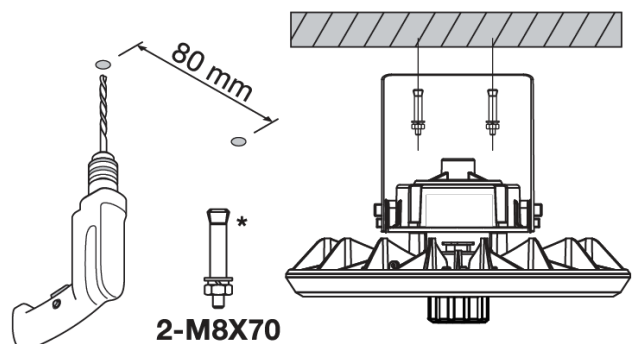


Trunnion mount

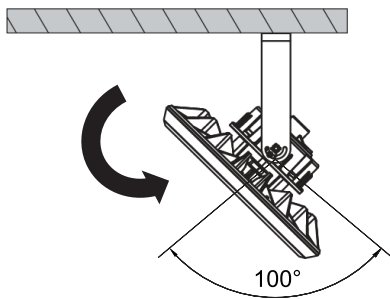
4b.1. Install the trunnion arm of luminaire to the bolts.



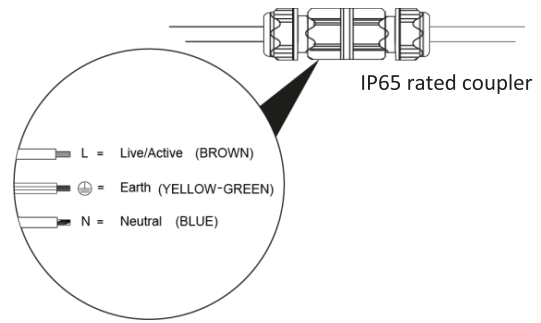
4b.2. Drill at least 2 holes at wall and screw the trunnion arm to the wall.



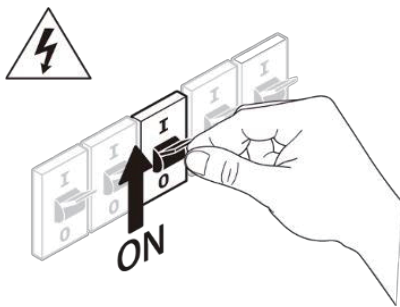
4b.3. Adjust desired angle by loosening the trunnion arm screws located at both sides.



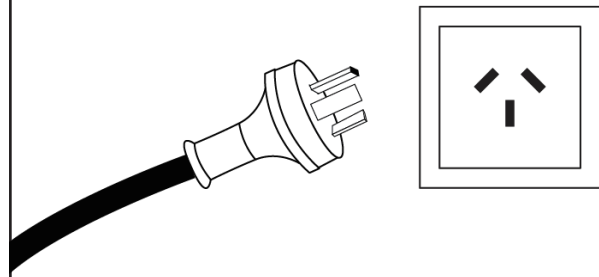
5. Connect the mains supply cable (for product without plug)



6. Turn ON the main supply

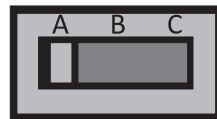
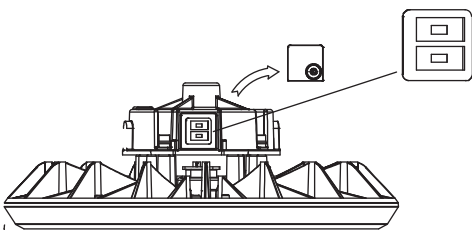
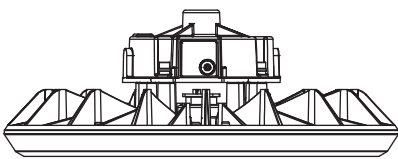


7. Connect the mains supply cable (for product with plug)



Unauthorized modification & improper installation void product warranty.

* only for UF2S-CTP **ADJUSTING POWER AND COLOR TEMPERATURE**



Wattage Selectable

A/B/C — 150W/200W/240W
 — 100W/150W/200W
 — 80W/120W/150W



CCT Selectable

CW/NW/WW — 5000K/4000K/3000K

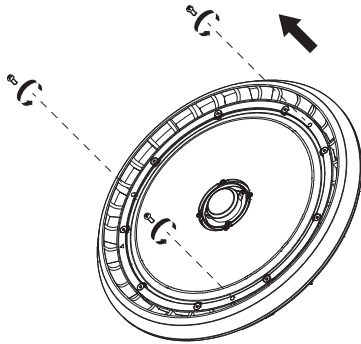


please ensure that the power supply has been disconnected, DIP switch should be by qualified electrician.

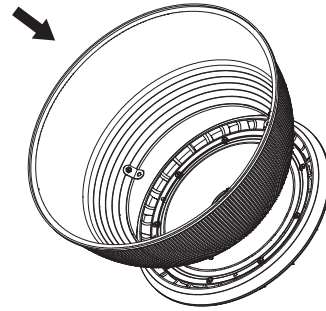
ACCESSORIES

PC Reflector

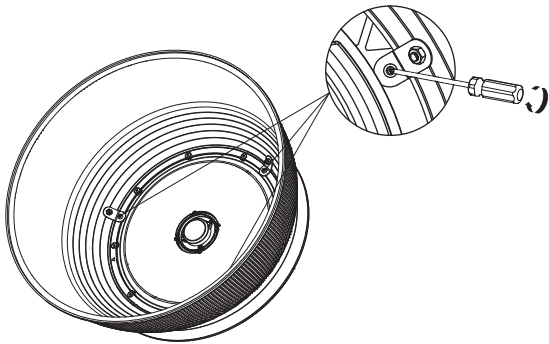
1. Loosen the screw.



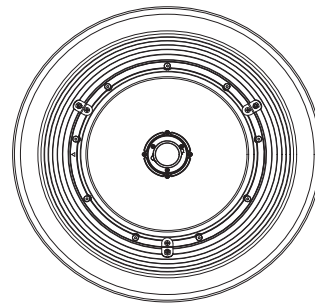
2. Attach reflector to the corresponding holes.



3. Tighten the screws.

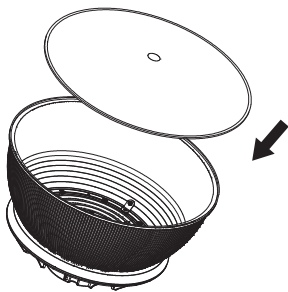


4. Once complete, check for any looseness.

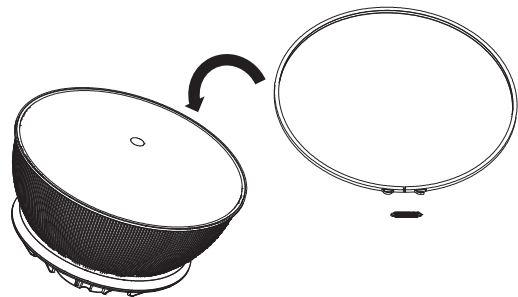


PC Reflector + Reflector Cover with Ring

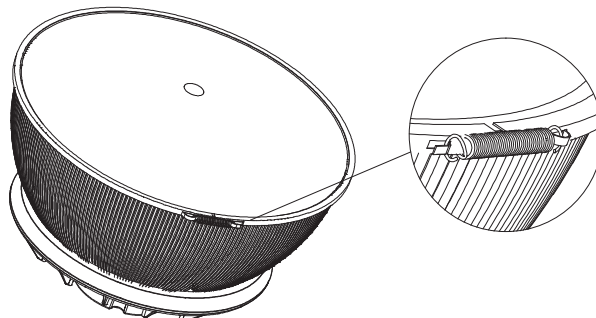
1. After installing the PC reflector, attach the cover to the reflector.



2. Hold both reflector and cover together by using the ring to wrap around them.

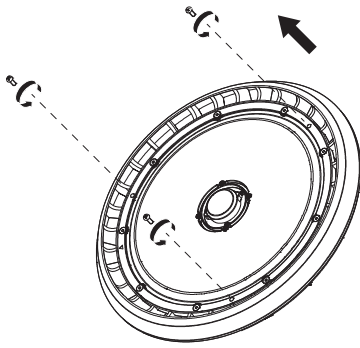


3. Then, secure both reflector and cover with the spring provided.

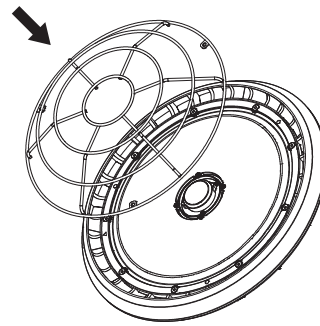


Wire Guards

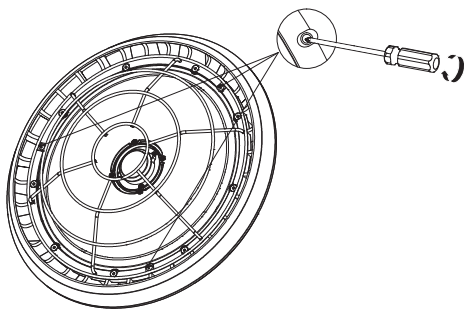
1. Loosen the screw.



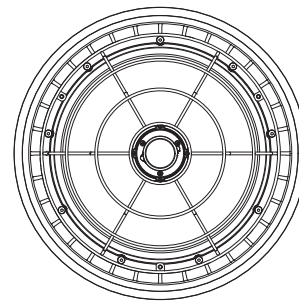
2. Attach wire guard to the corresponding holes.



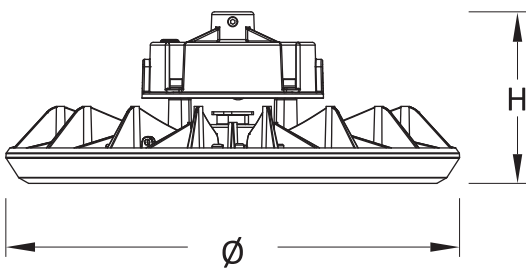
3. Tighten the screws.



4. Once complete, check for any looseness.



DIMENSIONS



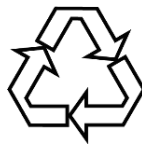
Model	Dimensions \varnothing x H (mm)	Weight (kg)
UFP85	280 x 121	2.23
UFP110	320 x 121	2.60
UFP160	360 x 129	3.20
UFP200	400 x 129	3.85
UF2S10/UF2S15	280 x 121	2.23
UF2S20	320 x 121	2.60
UF2S24	360 x 129	3.20
UF2S30	400 x 134	4.47(60°) 4.15(110°)
UF2S815CTP	280 x 121	2.16
UF2S1020CTP	320 x 121	2.50
UF2S1524CTP	360 x 129	3.13

MAINTENANCE

The supply must be isolated before opening or accessing the luminaire. Product maintenance is critical to the products designed performance. Davis Lighting is not responsible for any product not maintained in accordance with the recommended procedure or intervals. It is recommended that a bi-annual cleaning cycle is implemented. Inspect optical surfaces for damage or crack. Products supplied with visors or covers must not be operate with a damaged visor or cover; it is recommended damaged visors or covers be replaced by a competent person immediately. Seals and electrical components such as wirings to be checked for deterioration.



All photometric and electrical data published are of $\pm 10\%$ tolerance. Characteristics and specifications may change without notice. All electrical installations / connections should be carried out by a suitably qualified person. Application images are indicative only and may not contain actual Davis product. The information contained in this publication is typical and must not be interpreted as a guarantee of individual product performance.



This product may contain substances that can be hazardous to the environment if not disposed of correctly. Electrical and electronic equipment should never be discarded along with general waste but should be separated for correct treatment and recovery. Packaging and waste materials should be recycled wherever possible.

CONTACT

Australia Head Office & Sales

Davex Australia Pty Ltd
Head Office: +61 (7) 3712 8988
Sales Offices: 1300 851 001
Fax: +61 (7) 3272 8988
Email: australia@davislighting.com

Malaysia Head Office & Sales

Davex Malaysia Sdn Bhd (114942-X)
Phone: +60 (3) 5636 4348
Fax: +60 (3) 5636 4352
Email: malaysia@davislighting.com

Singapore Head Office & Sales

Davex Singapore Pte Ltd
Phone: +65 6745 2511
Fax: +65 6745 5828
Email: singapore@davislighting.com