

CALYPSO CY G3 CT

Architectural Lighting / Bulkhead



DAVIS LIGHTING

Features

- Robust IK10 rated construction
- IP65 rated
- Corrosion resistant
- UV-stabilised PC diffuser
- CCT Selectable: 3000K / 4000K / 5700K
- CRI >80
- Ceiling or wall mounted
- Available in 3 sizes

Applications

- Domestic / Commercial building exteriors
- Gardens / Landscape dividers
- Poolside areas
- Walkways
- Entrance areas

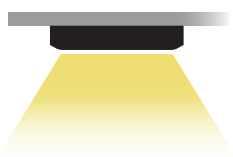
Options

- Eyelid Bezel (only for CYM)
- Dimmable

Standards

- Manufactured under ISO 9001:2015 to standards
- IEC/AS/NZS 60598.1
- IEC/AS/NZS 60598.2.1
- IEC/AS/NZS CISPR 15

Mounting Methods



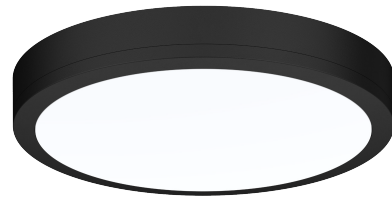
Ceiling mount



Wall mount
(Full Bezel)



Wall mount
(Eyelid Bezel)



CALYPSO CY G3 CT

Architectural Lighting / Bulkhead



DAVIS LIGHTING

Product Code Key

Model	Size	Power	Generation	CCT	Sensor / Dimming
CY	S = 200 mm	12 = 12W	G3	CT = 3000K + 4000K + 5700K	S25 = Sensor D03 = Triac Dim
	M = 275 mm	12 = 12W			
		18 = 18W			
		25 = 25W			
	L = 350 mm	25 = 25W			
		30 = 30W			Omit for non-dim.

e.g. CYL30G3CT-S25 = Calypso Ø350 mm, 30W,with sensor

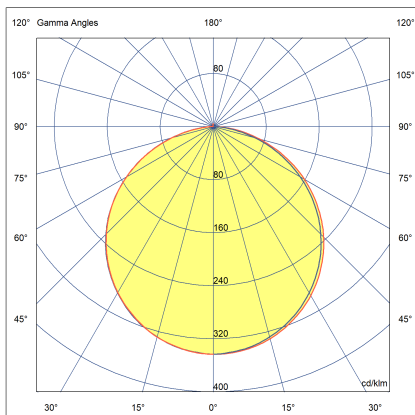
Specifications

Model	CYS12G3CT	CYM25G3CT	CYL30G3CT
Diameter (mm)	Ø 200	Ø 275	Ø 350
Nominal Power (W)	12	25	30
Input Voltage	220 - 240 VAC 50 / 60 Hz		
Protection Class	Class II		
Luminaire Flux (lm)	1146	2388	2775
Luminaire Efficacy (lm/W)	96	96	93
CRI	> 80		
Power Factor	> 0.90		
Colour Temp. (K)	3000 + 4000 + 5700		
SDCM	< 6		
Luminaire Rated Life (hrs)	50,000		
Operating Temp (°C)	-20 to 45		
Weight (kg)	0.48	0.98	1.38

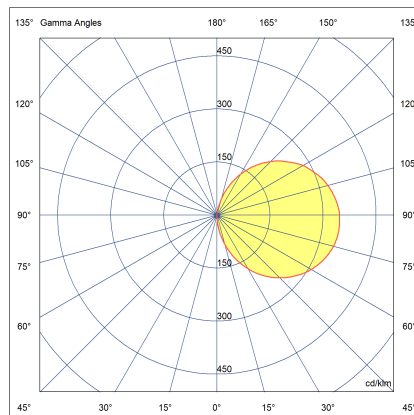
*Specifications shown for 4000K

Lighting Data

CYM18G3CT



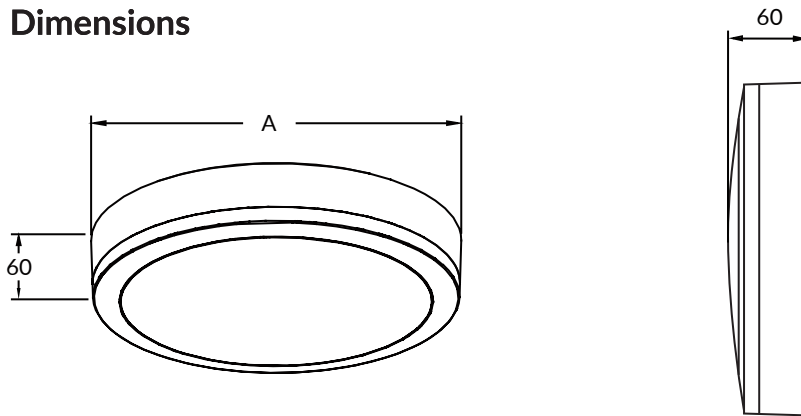
CYM18G3CT with Eyelid Bezel



CALYPSO CY G3 CT

Architectural Lighting / Bulkhead

Dimensions



Dimensions (mm)	
	A
CYS	Ø200
CYM	Ø275
CYL	Ø350

Accessories



Eyelid Bezel : CV-T0111-00 (For CYM only)

