

This installation guide is valid for the following models:

- CYS G3
- CYM G3
- CYL G3
- CYS G3 CT
- CYM G3 CT
- CYL G3 CT



## PRIOR TO INSTALLATION



- Read all instructions to prevent injury, electric shock or damage due to fire or mechanical hazards
- See product label for supply specifications
- Suitable for recessed or suspension mounting



Inspect the luminaire and associated parts for any signs of defect, in particular fasteners, cables and the diffuser or glass lens

**DO NOT INSTALL THE LUMINAIRE IF IT APPEARS IN ANY WAY FAULTY**

Consult with the supplier / sales office for details regarding replacement



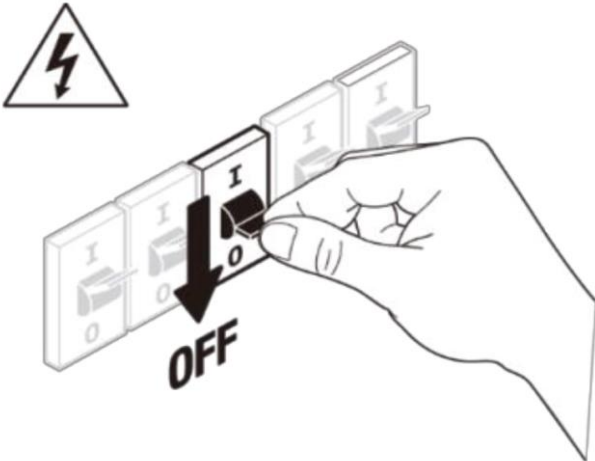
## CAUTION



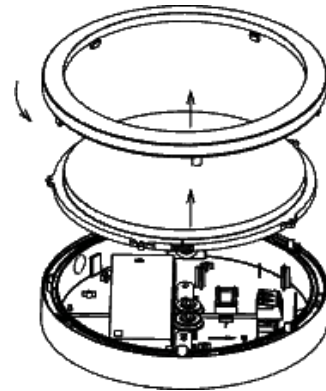
- Before commencing installation, turn off and isolate the electrical supply.
- Electronic control equipment must not be subjected to high voltages. **DO NOT MEGGER** between Live and Neutral.
- All cable / conduit terminations must be installed in accordance with the designated IP rating of this product.
- Suitable installation fastening methods should be employed to ensure the mounting points are not damaged when subjected to vibration and / or movement.
- This luminaire must be installed by qualified electrician in accordance with local rules and codes.
- This luminaire cannot be disassembled by non-professional persons.
- Prior to installation, products are to be stored in cool dry conditions.
- The light source of this luminaire is non-user replaceable; The light source contained in this luminaire shall only be replaced by the manufacturer or his service agent or a similar qualified person.

# INSTALLATION

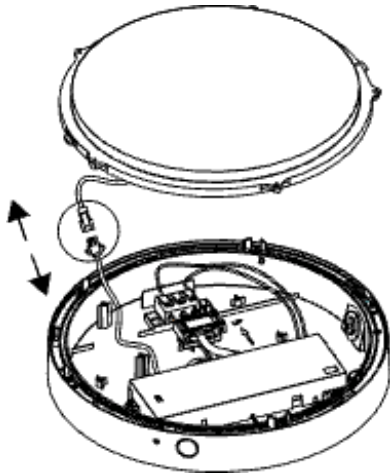
1. Turn off the main supply.



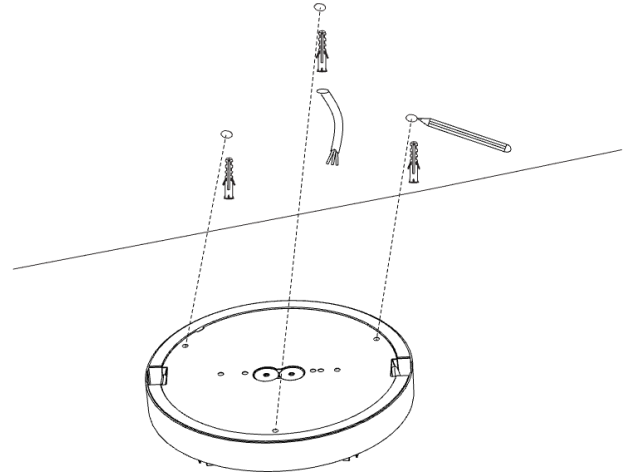
2. Rotate the bezel in anti-clockwise direction and lift both bezel and lamp compartment up to separate them.



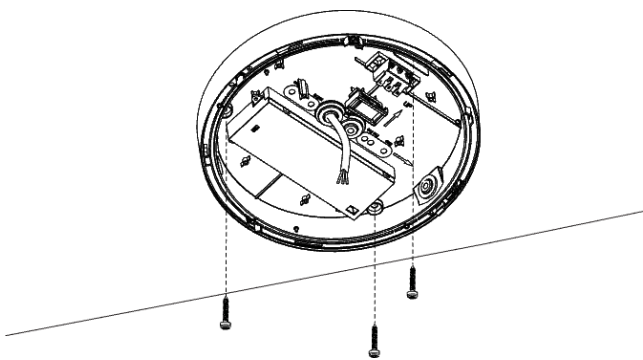
3. Separate the lamp compartment from the casing by disconnecting the connector.



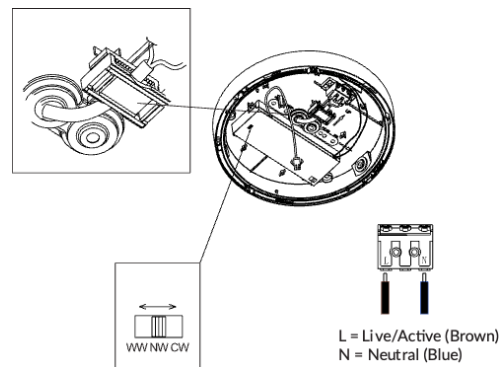
4. By using the casing as a template, mark and prepare mounting holes. Install wall plugs.



5. Pull cables through grommet. Fix the luminaire to ceiling with screws and washers provided.



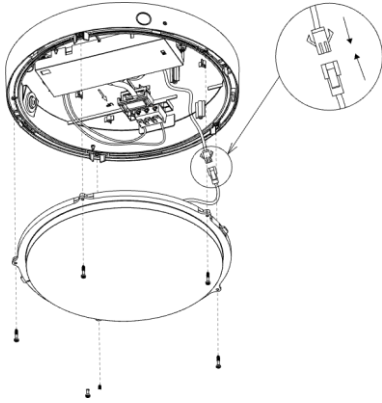
6. Connect the cables to terminal block accordingly. Then, fasten the cable with clamp. For luminaire with adjustable colour temperature, select a desired CCT.  
(WW: 3000K, NW: 4000K, CW: 5700K)



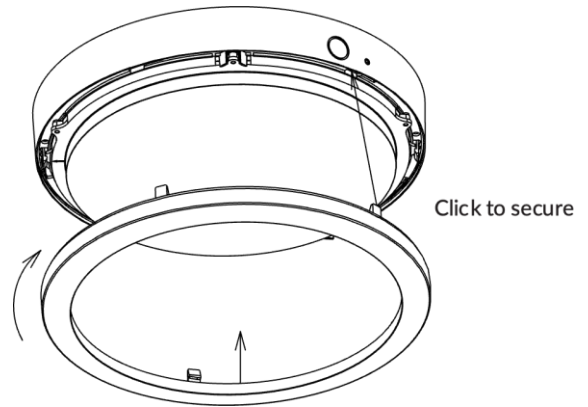
Unauthorized modification & improper installation void product warranty.

# INSTALLATION

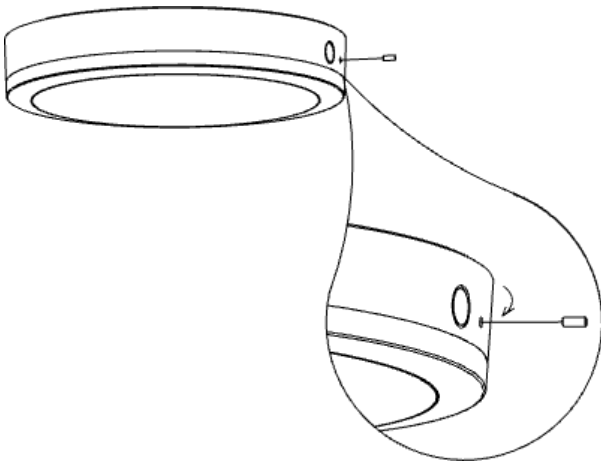
7. Connect back lamp compartment connector. Position the lamp compartment back properly and tighten it with screws.



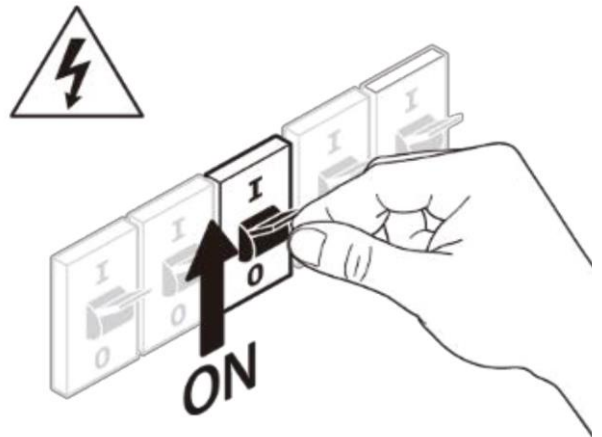
8. Rotate the bezel in clockwise direction.



9. Lock the cover with a set screw.

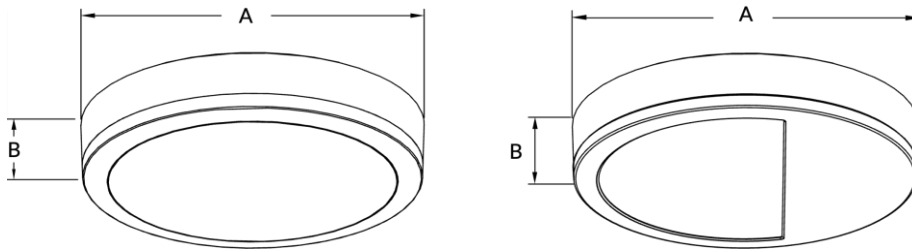


10. Turn on the main supply.



Unauthorized modification & improper installation void product warranty.

## DIMENSIONS



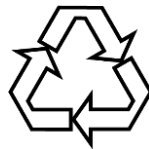
Dimensions (mm)		
	A	B
CYS	Ø200	60
CYM	Ø275	60
CYL	Ø350	60

## MAINTENANCE

The supply must be isolated before opening or accessing the luminaire. Product maintenance is critical to the products designed performance. Davis Lighting is not responsible for any product not maintained in accordance with the recommended procedure or intervals. It is recommended that a bi-annual cleaning cycle is implemented. Inspect optical surfaces for damage or crack. Products supplied with visors or covers must not be operated with a damaged visor or cover; it is recommended damaged visors or covers to be replaced by a competent person immediately. Seals and electrical components such as wirings to be checked for deterioration.



All photometric and electrical data published are of  $\pm 10\%$  tolerance. Characteristics and specifications may change without notice. All electrical installations / connections should be carried out by a suitably qualified person. Application images are indicative only and may not contain actual Davis product. The information contained in this publication is typical and must not be interpreted as a guarantee of individual product performance.



This product may contain substances that can be hazardous to the environment if not disposed of correctly. Electrical and electronic equipment should never be discarded along with general waste but should be separated for correct treatment and recovery. Packaging and waste materials should be recycled wherever possible.

## CONTACT

**Australia Head Office & Sales**  
 Davex Australia Pty Ltd  
 Head Office: +61 (7) 3712 8988  
 Sales Offices: 1300 851 001  
 Fax: +61 (7) 3272 8988  
 Email: australia@davislighting.com

**Malaysia Head Office & Sales**  
 Davex Malaysia Sdn Bhd (114942-X)  
 Phone: +60 (3) 5636 4348  
 Fax: +60 (3) 5636 4352  
 Email: malaysia@davislighting.com

**Singapore Head Office & Sales**  
 Davex Singapore Pte Ltd  
 Phone: +65 6745 2511  
 Fax: +65 6745 5828  
 Email: singapore@davislighting.com