

This installation guide is valid for the following models:

- Balmoral - BM



PRIOR TO INSTALLATION



- Read all instructions to prevent injury, electric shock or damage due to fire or mechanical hazards
- See product label for supply specifications.



- Suitable for recessed or suspension mounting.

Inspect the luminaire and associated parts for any signs of defect, in particular fasteners, cables and the diffuser or glass lens

DO NOT INSTALL THE LUMINAIRE IF IT APPEARS IN ANY WAY FAULTY

Consult with the supplier / sales office for details regarding replacement



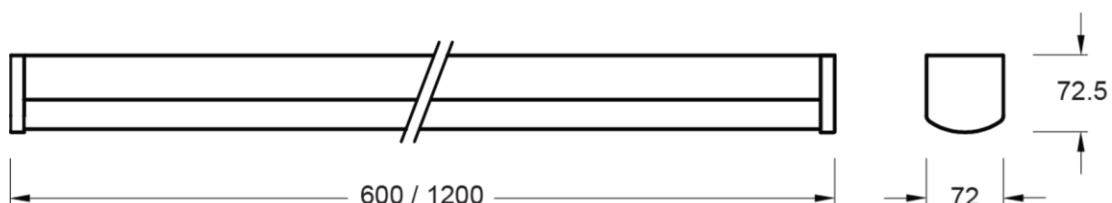
CAUTION



- Installation is to be completed by a competent licensed electrician, in accordance with these instructions and relevant local regulations.
- Electronic control equipment must not be subjected to high voltages, DO NOT MEGGER between Live and Neutral.
- All cable/conduit terminations must be installed in accordance with the designated IP rating of this product.
- Suitable installation fastening methods should be employed to ensure the mounting points are not damaged when subjected to vibration and or movement.
- The light source contained in this luminaire shall only be replaced by the manufacturer or his service agent or similar qualified person.
- When using glands provided as cord anchorage for flexible cable the cable diameter shall not be less than 8.4 mm and not larger than 12 mm.

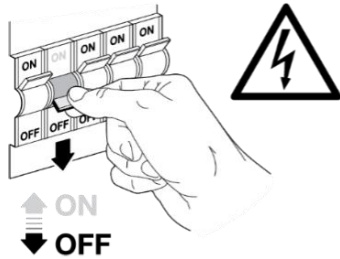
DIMENSIONS

600mm/1200mm

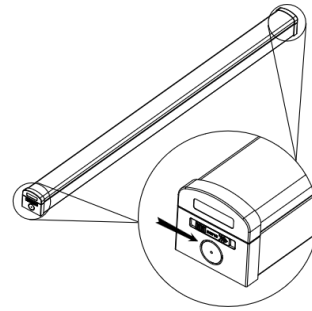


INSTALLATION

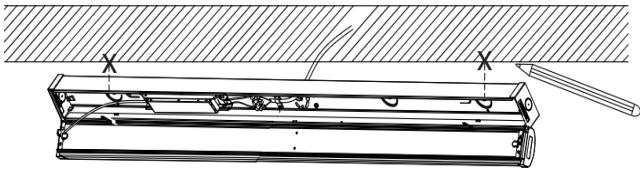
1. Turn OFF power.



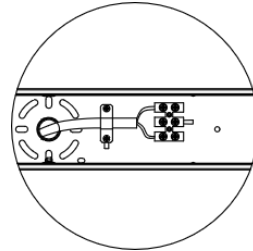
2. Slide the knob on both end caps at the same time to release the diffuser from luminaire body.



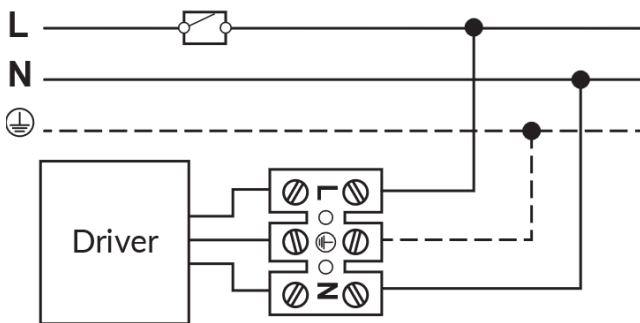
3. By using the casing as a template, mark and prepare mounting holes on the mounting surface. Use wall plugs provide. Minimum 2 mounting screws are needed for each luminaire regardless of length.



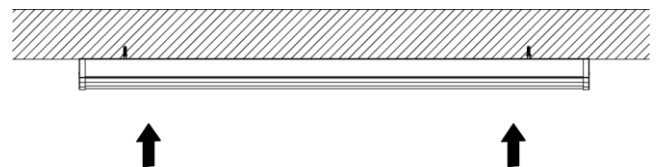
4. Bring in the supply cables through the entry hole in the middle followed by passing through the cable clamp. Then mount the casing to the mounting surface.



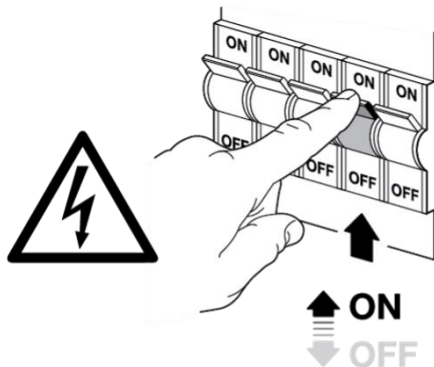
5. Securely connect the mains cable wires to the terminal block as shown in wiring diagram below and then tighten the cable clips screws.



6. Then, close the cover after installation.



7. Turn ON power.



**Default setting for sensor model as below:

Detection Area: 100%
Hold Time: 3 minutes
Stand-by Period: 0
Stand-by Dim Level: 30%
Daylight Sensor: Off



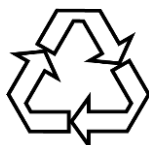
Unauthorized modification & improper installation void product warranty

MAINTENANCE

The supply must be isolated before opening or accessing the luminaire. Product maintenance is critical to the products designed performance. Davis Lighting is not responsible for any product not maintained in accordance with the recommended procedure or intervals. It is recommended that a bi-annual cleaning cycle is implemented. Inspect optical surfaces for damage or crack. Products supplied with visors or covers must not be operated with a damaged visor or cover; it is recommended damaged visors or covers be replaced by a competent person immediately. Seals and electrical components such as wirings to be checked for deterioration.



All photometric and electrical data published are of $\pm 10\%$ tolerance. Characteristics and specifications may change without notice. All electrical installations / connections should be carried out by a suitably qualified person. Application images are indicative only and may not contain actual Davis product. The information contained in this publication is typical and must not be interpreted as a guarantee of individual product performance.



This product may contain substances that can be hazardous to the environment if not disposed of correctly. Electrical and electronic equipment should never be discarded along with general waste but should be separated for correct treatment and recovery. Packaging and waste materials should be recycled wherever possible.

CONTACT

Australia Head Office & Sales
Davex Australia Pty Ltd
Head Office: +61 (7) 3712 8988
Sales Offices: 1300 851 001
Fax: +61 (7) 3272 8988
Email: australia@davislighting.com

Malaysia Head Office & Sales
Davex Malaysia Sdn Bhd (114942-X)
Phone: +60 (3) 5636 4348
Fax: +60 (3) 5636 4352
Email: malaysia@davislighting.com

Singapore Head Office & Sales
Davex Singapore Pte Ltd
Phone: +65 6745 2511
Fax: +65 6745 5828
Email: singapore@davislighting.com

davislighting.com / www.davislighting.com.au