

# NORDUS G2 NSS, NSR



DAVIS LIGHTING

Specialist Lighting / Security

## Features

- High performance LED system
- Heavy-gauge housings
- Tamperproof screws
- Enhanced performance enabling GreenStar and BCA compliant designs
- Frame fitted with safety lanyards
- Surface & recessed mounting
- IP65 / IK10 rating
- Anti-ligature design

## Applications

Corrections

## Standards

- Manufactured under ISO 9001:2015 to standards IEC/AS/NZS 60598.1
- IEC/AS/NZS 60598.2.1
- IEC/AS/NZS 60598.2.2
- IEC/AS/NZS CISPR 15

## Mounting Methods



Surface Mount



Recessed Mount



NSS for Surface Mount



NSR for Recessed Mount



# NORDUS G2 NSS, NSR DAVIS LIGHTING

Specialist Lighting / Security

## Product Code Key

Model	Size	Power	-	CRI & Colour Temp.	Dimming
NSS	2 = 600 x 300	20 = 20W		R83 = CRI80, 3000K	D10 = DALI
NSR	W2 = 600 x 600	30 = 30W		R84 = CRI80, 4000K	omit code for standard non-dim
	4 = 1200 x 300	35 = 35W		R87 = CRI80, 6500K	
		45 = 45W			
		55 = 55W			

e.g NSS220-R83D10 = Nordus NSS, 600 x 300mm, 20W, CRI80, 3000K, DALI

## Specifications

Model	NSS220-R8x / NSR220-R8x	NSS230-R8x / NSR230-R8x	NSS435-R8x / NSR435-R8x	NSS435-R8x / NSR435-R8x	NSS435-R8x / NSR435-R8x
Nominal Size (mm)	1230 x 305				
Nominal Power (W)	20	30	35	45	55
Input Voltage	240 VAC 50 / 60 Hz				
Luminaire Flux (lm)	1900	2700	3500	4500	4950
Efficacy (lm/W)	95	90	100	100	90
CRI	> 80				
Power Factor	> 0.90				
Colour Temp. (K)	3000 / 4000 / 6500				
Luminaire Rated Life (hrs)	50,000				
Operating Temp. (°C)	-20 ~ +35 °C				
Weight (kg)	NSS				15.30
	NSR				16.50
Protection Class	Class I				
SELV	Yes				
THD	> 20%				
Flicker-free	Yes				
SDCM	< 5				

"x" denotes CCT, 3 = 3000K ; 4 = 4000K ; 7 = 6500K

# NORDUS G2 NSS, NSR



DAVIS LIGHTING

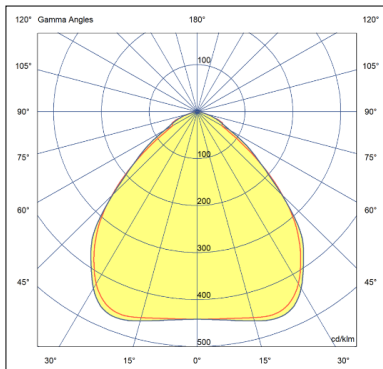
Specialist Lighting / Security

## Specifications

Model	NSSW235-R8x / NSRW235-R8x	NSSW245-R8x / NSRW245-R8x	NSSW255-R8X / NSRW255-R8x
Nominal Size (mm)	665 x 635	665x 635	665 x 635
Nominal Power (W)	35	45	55
Input Voltage	240 VAC 50 / 60 Hz		
Luminaire Flux (lm)	3675	4725	5225
Efficacy (lm/W)	105	105	95
CRI	> 80		
Power Factor	> 0.90		
Colour Temp. (K)	3000 / 4000 / 6500		
Luminaire Rated Life (hrs)	50,000		
Operating Temp. (°C)	1230 x 305		
Weight (kg)	NSS	14.5	14.5
	NSR	15.4	15.4
Protection Class	Class I		
SELV	Yes		
THD	> 20%		
Flicker-free	Yes		
SDCM	< 5		

## Lighting Data

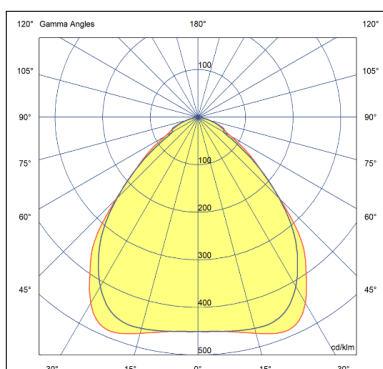
NSS435-R84K / NSR435-R84K



NSS



NSSW235-R84K / NSRW235-R84K



NSR



# NORDUS G2 NSS, NSR

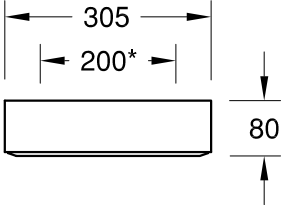
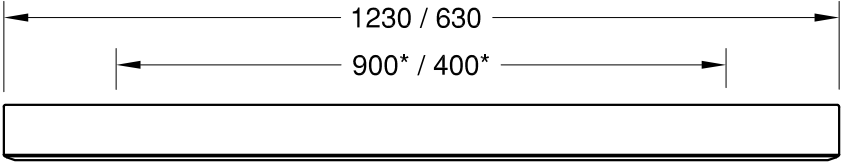
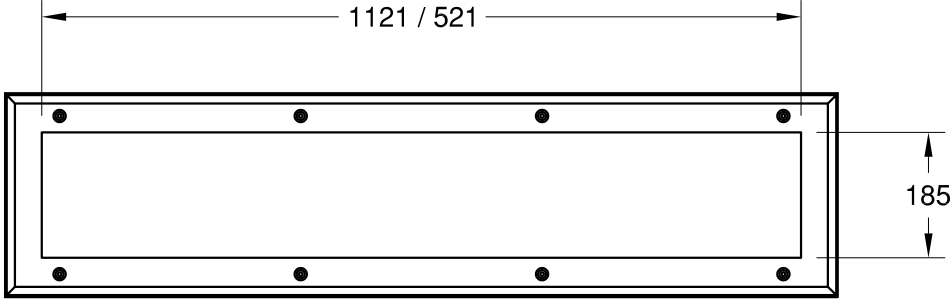


DAVIS LIGHTING

Specialist Lighting / Security

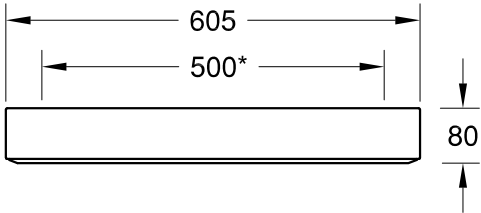
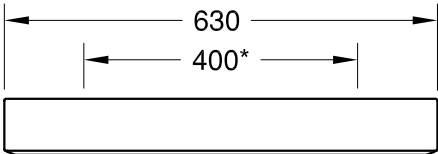
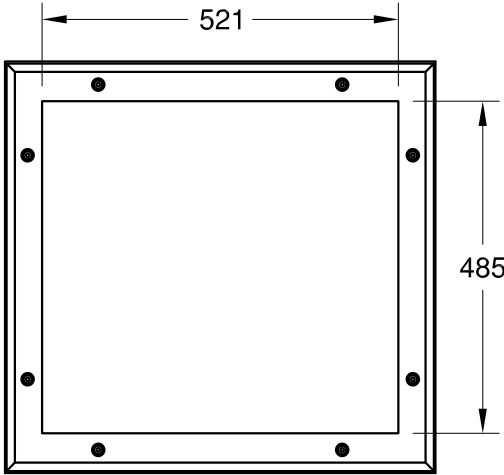
## Dimensions

NSS4 / NSS2



\*Ø10mm mounting holes

NSSW



\*Ø10mm mounting holes



# NORDUS G2 NSS, NSR

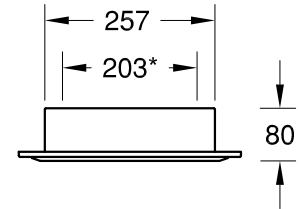
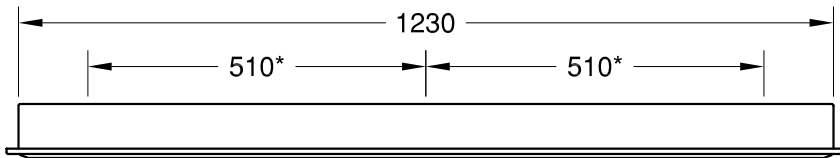
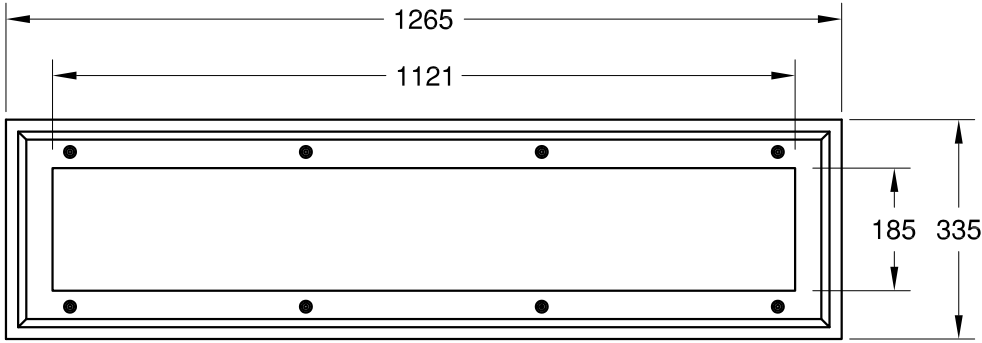


DAVIS LIGHTING

Specialist Lighting / Security

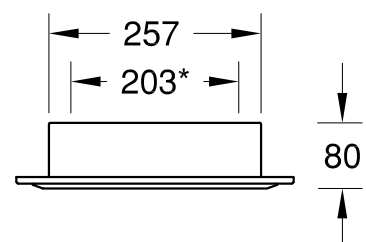
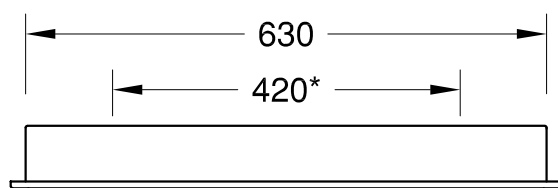
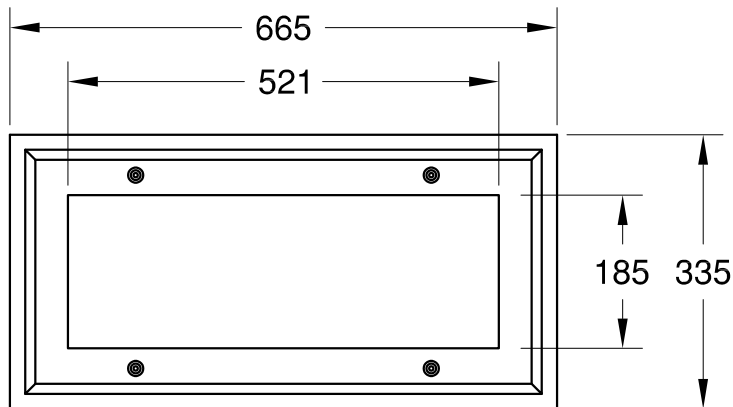
## Dimensions

NSR4



\*OB 14 X 25mm  
Cut Out Size: 1240 x 267mm

NSR2

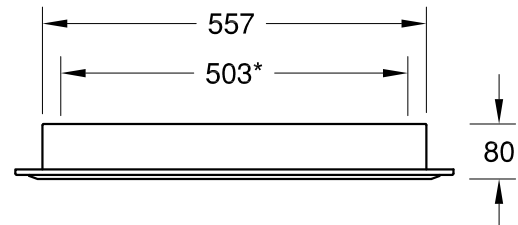
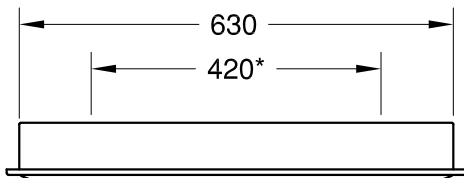
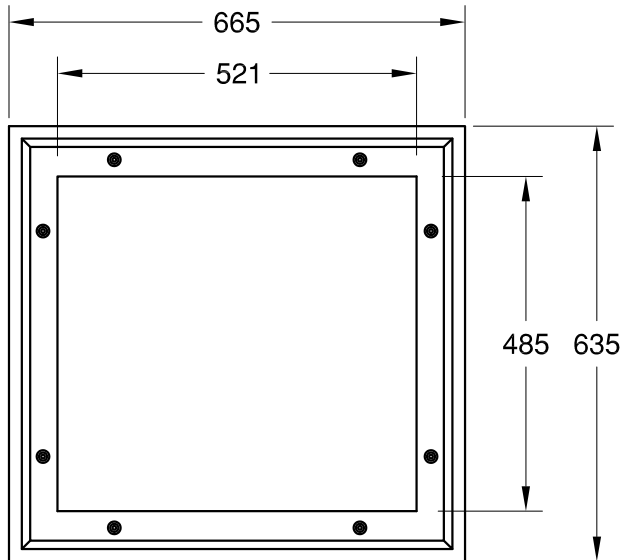


\*OB 14 X 25mm  
Cut Out Size: 640 X 267mm



### Dimensions

NSRW



\*OB 14 X 25mm  
Cut Out Size: 640 X 567mm

