

# KWIK-X2

## Emergency Lighting / Exit Light



DAVIS LIGHTING

An all-in-one LED blade exit sign suitable for ceiling, wall and recessed mounting. KWIK-X2 offers a stylish polycarbonate body and acrylic diffuser profile, integral emergency control gear with a long-life Lithium battery and a 2-hour discharge duration. A quarter-turn fastener and slide-on control gear housing allow for quick and easy installation. KWIK-X2 is compliant to AS/NZS 2293 emergency lighting standards with a viewing distance of 24 meters.

### Features

Versatile mounting

- Ceiling
- Wall
- Recessed

Emergency classification C0: D1.25 / C90: D2.0

Viewing distance 24m

Acrylic diffuser with all running man pictogram variations included

LiFePO4 battery

2 hr emergency duration

Quick install system

3-year warranty (inc. battery)

### Applications

Offices

Shopping centres, retail outlets

Healthcare facilities

Auditoriums, lecture theatres, schools

Motels, hotels

### Options

Auto-test version

### Standards

Manufactured to the following standards:

IEC/AS/NZS 60598.1

IEC/AS/NZS 60598.2.1

IEC/AS/NZS 60598.2.2

AS/NZS 2293.3

IEC/AS/NZS CISPR 15

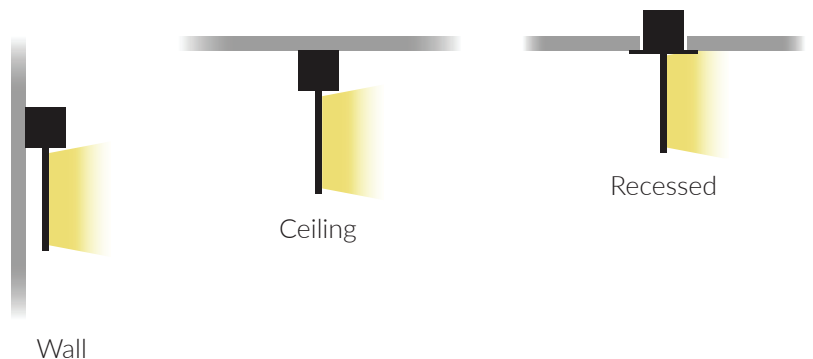


Recessed mount (with supplied trim)



Surface mount (without supplied trim)

### Mounting Methods



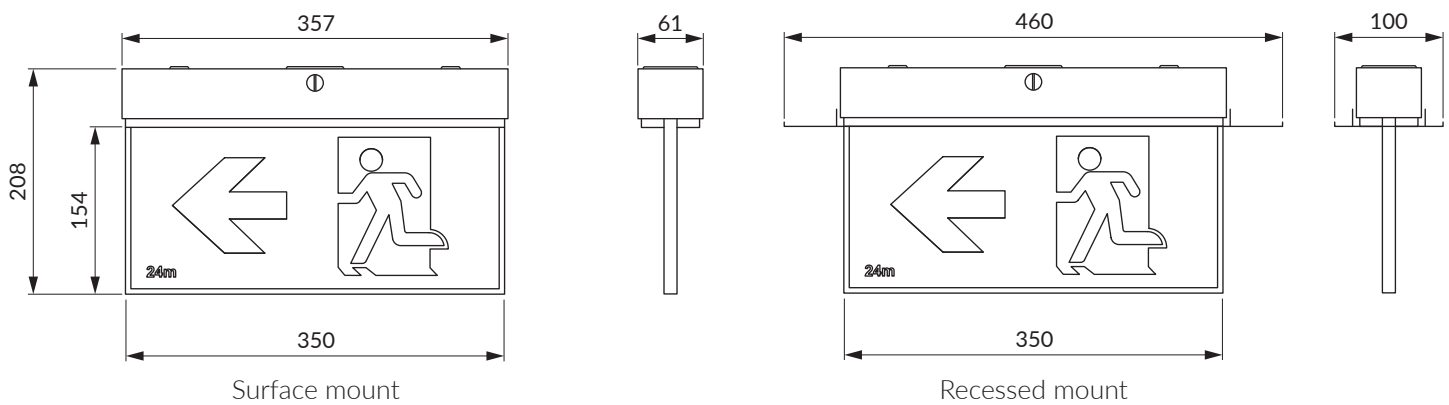


### Specifications

Model	KWIK-X2LI
Nominal Power (w)	1
Input Voltage	220 - 240 VAC 50 / 60 Hz
Charge Duration (hr)	16
Discharge Duration (hr)	2
Battery	LiFePO4 3.2 V 600 mAh
Viewing Distance (m)	24
Classification (C0/C90)	D1.25 / D2.0
Test Mode	Manual
Protection Class	II
Operating Temp. (°C)	0 to +45

(Add "AT" for auto-test model - KWIK-X2LIAT. Lead time and minimum order quantity will apply)

### Dimensions



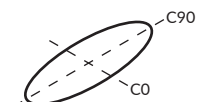
### Included Pictograms



### Emergency Classification

Mounting Height (m)		2.1	2.4	2.7	3.0	3.3	3.6	4.0	4.5	5.0	6.0	7.0	8.0	9.0	10.0	15.0
Classification		spacing between luminaires (m)														
Plane C0	D1.25	L	3.9	3.7												
Plane C90	D2.0	L	5.2	5.1	5.0	4.7										
Classification		spacing between luminaire & wall (m)														
Plane C0	D1.25	W	1.95	1.85												
Plane C90	D2.0	W	2.6	2.55	2.5	2.35										

Based on AS/NZS2293.1-2018 (minimum 0.2 lux)



All photometric and electrical data published are of ±10% tolerance. Characteristics and specifications may change without notice. All electrical installations / connections should be carried out by a suitably qualified person. Application images are indicative only and may not contain actual Davis product. The information contained in this publication is typical and must not be interpreted as a guarantee of individual product performance.