

KWIK-SPOT

Emergency Lighting / Emergency Light



DAVIS LIGHTING

A non-maintained LED emergency light suitable for wall mounting. KWIK-SPOT offers two individually adjustable light sources, integral emergency control gear with a long-life Lithium battery and a 3-hour discharge duration. KWIK-SPOT carries a D160 / D10 classification and is compliant to AS/NZS 2293 emergency lighting standards.

Features

- Wall mounting
- Individually adjustable light sources
- LiFePO4 battery
- Emergency classification C0: D160 / C90: D10
- 3 hr emergency duration
- Short circuit / over-voltage protection
- Quick and easy installation
- 3-year warranty (inc. battery)

Applications

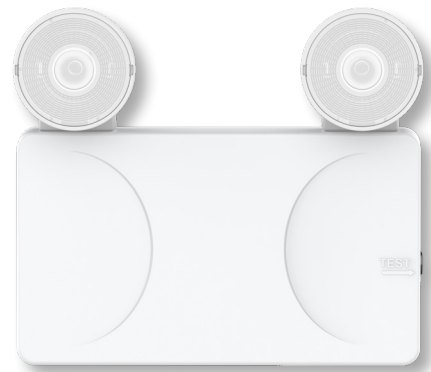
- Offices
- Shopping centres, retail outlets
- Healthcare facilities
- Motels, hotels
- Domestic environments (indoor)

Options

- Auto-test version

Standards

- Manufactured to the following standards:
- IEC/AS/NZS 60598.1
 - IEC/AS/NZS 60598.2.1
 - AS/NZS 2293.3
 - IEC/AS/NZS CISPR 15



Mounting Methods



Wall



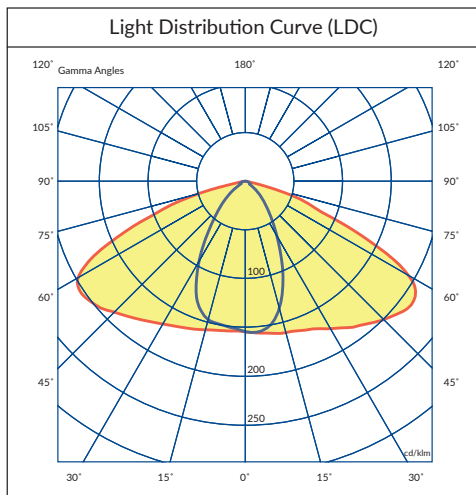


Specifications

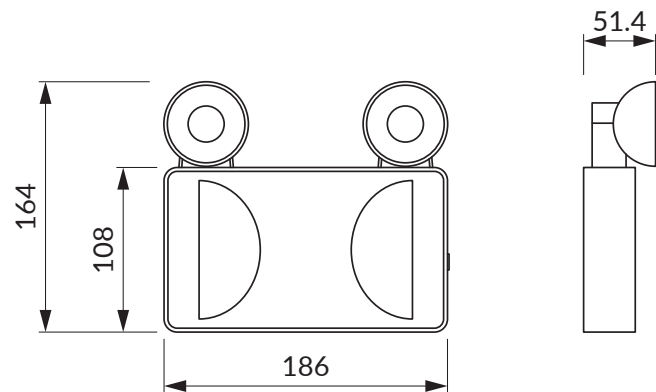
Model	KWIK-SPOTLI
Nominal Power (W)	2.7
Input Voltage	220 - 240 VAC 50 / 60 Hz
Charge Duration (hr)	24
Discharge Duration (hr)	3
Battery	Li-Ion 3.7 V 4400 mAh
Luminous Flux (lm)	406
Colour Temp. (K)	5000
CRI	>70
Test Mode	Manual
Classification (C0/C90)	D160 / D10
Protection Class	II
Operating Temp. (°C)	0 to +45

(Add "AT" for auto-test model - KWIK-SPOTLIAT. Lead time and minimum order quantity will apply)

Lighting Data



Dimensions



Emergency Classification

Mounting Height (m)		2.1	2.4	2.7	3.0	3.3	3.6	4.0	4.5	5.0	6.0	7.0	8.0	9.0	10.0	15.0	
Classification		spacing between luminaires (m)															
Plane C0	D160	L	11.5	13.2	14.8	16.5	18.1	19.8	22.0	24.7	27.5	33.0	38.5	40.2	41.4	42.5	45.7
Plane C90	D10	L	10.2	10.5	10.8	11.0	11.2	11.4	11.5	11.5	11.5	11.1	10.3				
Classification		spacing between luminaire & wall (m)															
Plane C0	D160	W	5.75	6.6	7.4	8.25	9.05	9.9	11.0	12.35	13.75	16.5	19.25	20.1	20.7	21.25	22.85
Plane C90	D10	W	5.1	5.25	5.4	5.5	5.6	5.7	5.75	5.75	5.75	5.55	5.15				

Based on AS/NZS2293.1-2018 (minimum 0.2 lux)



All photometric and electrical data published are of ±10% tolerance. Characteristics and specifications may change without notice. All electrical installations / connections should be carried out by a suitably qualified person. Application images are indicative only and may not contain actual Davis product. The information contained in this publication is typical and must not be interpreted as a guarantee of individual product performance.